

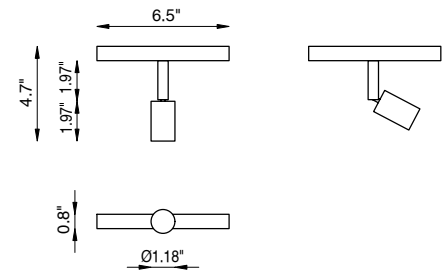
X1 48V is a small high performance projector for use with the 48V track system with interchangeable lenses and minimum visual impact. It is fitted with a directional arm 360° adjustable on a vertical axis and 90° on a horizontal one. X1 48V has an LED (COB) CRI >90, 3000K (2700K/4000K light source on request) fed in direct current with incorporated convertor located inside the track adaptor.



TECHNICAL DATA

Wattage / Input	6W
Track Power Supply	Remote 48VDC power supply for track, not included. See 48V Track datasheet
Track Head	Integral 48V LED Converter in Track Adapter
Dimming	Non-Dim, 0-10V Dim, Dali
Construction	Body: Aluminum
CCT	3000K (2700K, 4000K on request)
CRI	>90
Delivered Lumens	520 lm (3000K)
Efficacy	86.7 lm/W (3000K)
Optics	20° standard, 50° on request
Finishes	4 standard, See Below
Fixture Dimensions	Head: Ø1.2" x 2.0" 6.5" x 4.7"
Fixture Weight	0.88 lbs
IP Rating	IP40

Fixture Dimensions



ORDERING INFORMATION

Example: BUT048L00001A12230ND0.US. Track ordered separately.

BUT048L00001					0	US
Model No.	Finish	Optic	CCT	Dimmability		
BUT048L00001	W1 - White B1 - Black A1 - Champagne A2 - Rose Gold	22 - 22° 50 - 50°	27 - 2700K 30 - 3000K 40 - 4000K	ND - Non Dimmable 11 - 0-10V Dimming DA - DALI	0	US

Job Name/Date:

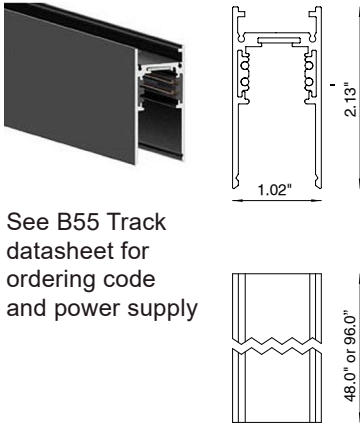
Fixture Type Designation:

SUGGESTED POWER SUPPLIES

48VDC - See Track Datasheets

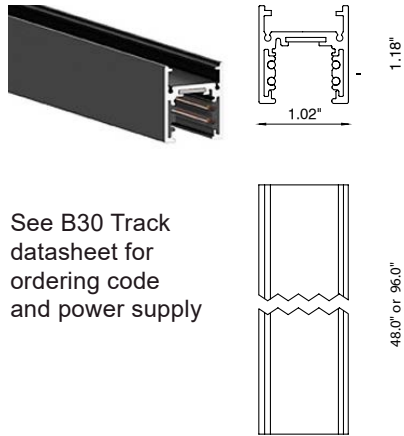
48V TRACKS

B55



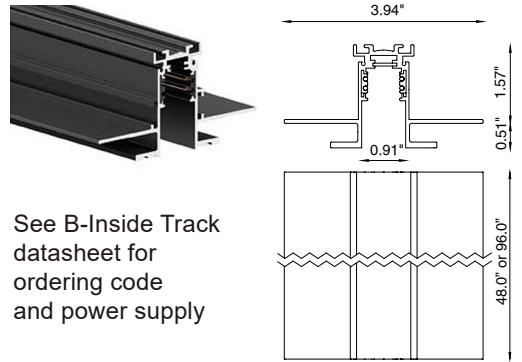
See B55 Track datasheet for ordering code and power supply

B30



See B30 Track datasheet for ordering code and power supply

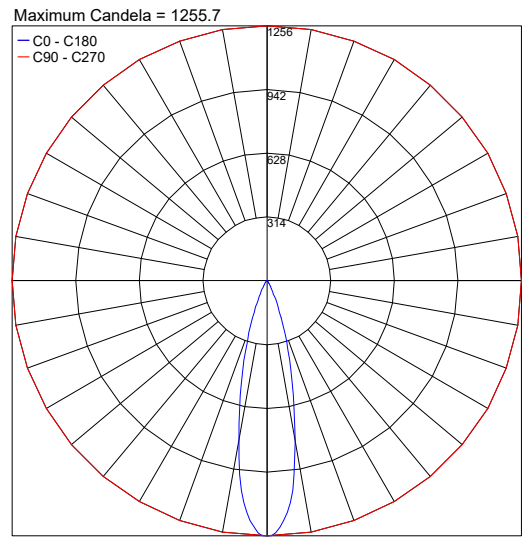
B-INSIDE



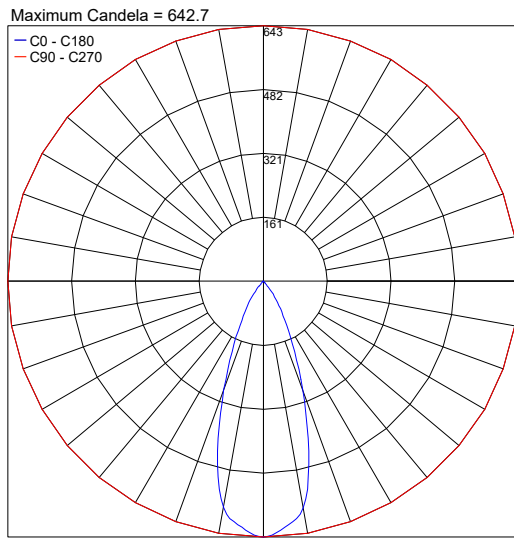
See B-Inside Track datasheet for ordering code and power supply

PHOTOMETRIC DATA

Note: All photometry is 3000K



PHOTOMETRIC FILENAME : X1 22° 48V - T048L00001B12230ND.IES



PHOTOMETRIC FILENAME : X1 50° 48V - T048L00001B15030ND.IES

Job Name/Date:

Fixture Type Designation: