

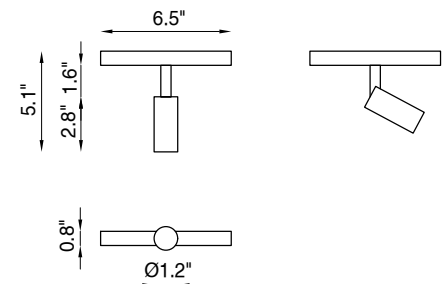
Y1 48V is a small cylindrical projector for use indoors with the 48V track system with interchangeable lenses and minimum visual impact. It is fitted with a 360° adjustable arm on the 360° vertical axis and 90° horizontal axis, with incorporated joints. Y1 48V has an LED (COB) CRI >90, 3000K (2700K/4000K light source on request) fed in direct current with incorporated converter located inside the track adaptor.



## TECHNICAL DATA

<b>Wattage / Input</b>	8W
<b>Track Power Supply</b>	Remote 48VDC power supply for track, not included. See 48V Track datasheet
<b>Track Head</b>	Integral 48V LED Converter in Track Adapter
<b>Dimming</b>	Non-Dim, 0-10V Dim, Dali
<b>Construction</b>	Body: Aluminum
<b>CCT</b>	3000K (2700K, 4000K on request)
<b>CRI</b>	>90
<b>Delivered Lumens</b>	800 lm (3000K)
<b>Efficacy</b>	100 lm/W (3000K)
<b>Optics</b>	22° standard, 50° on request
<b>Finishes</b>	4 standard, See Below
<b>Fixture Dimensions</b>	Head: Ø1.2" x 2.0" 6.5" x 4.7"
<b>Fixture Weight</b>	0.88 lbs
<b>IP Rating</b>	IP40

Fixture Dimensions



## ORDERING INFORMATION

Example: **BUT048L00002CP2230ND0.US**. Track ordered separately.

BUT048L00002					0	US
Model No.	Finish	Optic	CCT	Dimmability		
BUT048L00002	W1 - White B1 - Black CP - Chromed BR - Brass	22 - 22° 50 - 50°	27 - 2700K 30 - 3000K 40 - 4000K	ND - Non Dimmable 11 - 0-10V Dimming DA - DALI	0	US

Job Name/Date:

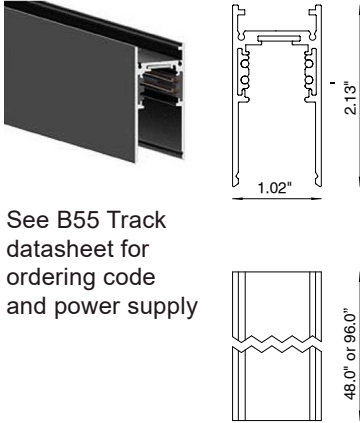
Fixture Type Designation:

## SUGGESTED POWER SUPPLIES

48VDC - See Track Datasheets

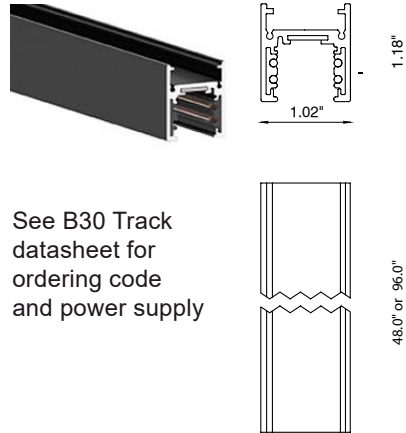
### 48V TRACKS

B55



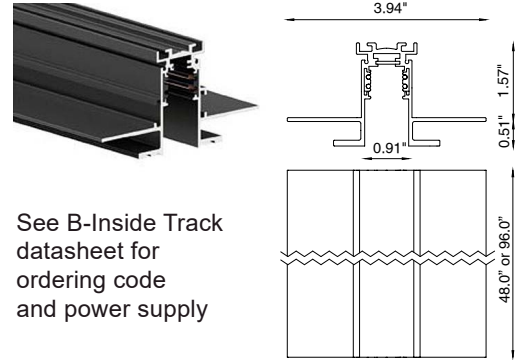
See B55 Track datasheet for ordering code and power supply

B30



See B30 Track datasheet for ordering code and power supply

B-INSIDE



See B-Inside Track datasheet for ordering code and power supply

## PHOTOMETRIC DATA

Coming Soon

Job Name/Date:

Fixture Type Designation: