

Yang is a surface mounted bi-emission indoor luminaire made of AirCoral® and suitable for installation on walls. It is available in 3000K as standard with a 120° optic.



TECHNICAL DATA

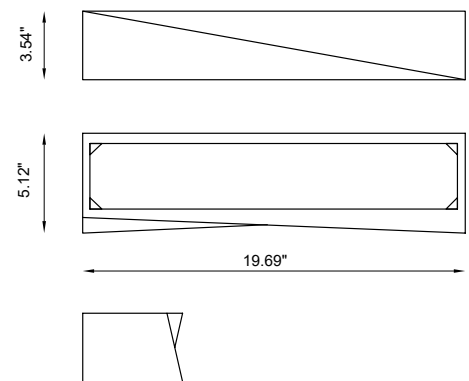
Wattage / Input	2 x 12W (120VAC)
Power Supply	Integral 0-10V Dimming
Construction	Body: AirCoral®
CCT	3000K (2700K, 4000K on request)
CRI	>90
Delivered Lumens	637 lm per beam (3000K)
Efficacy	58.1 lm/W per beam
Optics	120°
Finishes	Unfinished - suitable for painting
Fixture Dimensions	19.69" l x 5.12" w x 3.54" h
Fixture Weight	-
IP Rating	IP20

The body is made of Aircoral® a unique patented composite material that actually purifies the air. It can be calculated how many cubic feet each fixture will purify. See website for Aircoral® calculator.

Additionally, Aircoral® is:

- Antibacterial.
- Antifungal.
- Scratch-resistant.
- Dust-resistant.
- Suitable for painting.
- LEED recognized material.

Fixture Dimensions



ORDERING INFORMATION

Example: BU2826.30.AC.US.

BU2826	.		.	AC	.	US
Model No.		CCT		Finish		
BU2826		30 - 3000K (standard) 27 - 2700K (on request) 40 - 4000K (on request)		AC - AirCoral®		US

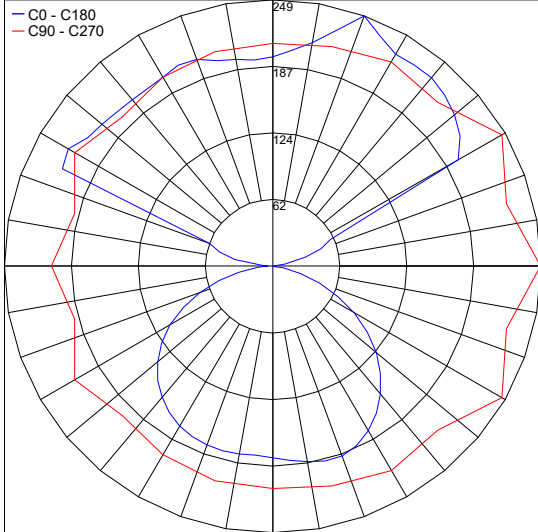
Job Name/Date:

Fixture Type Designation:

PHOTOMETRIC DATA

Note all Photometry is 3000K

Maximum Candela = 248.8



PHOTOMETRIC FILENAME : YANG 2X9W 3000K BU2826.AC.IES

Job Name/Date:

Fixture Type Designation: