

Yin is a surface mounted bi-emission indoor luminaire made of AirCoral® and suitable for installation on walls. It is available in 3000K as standard with a 120° optic.



TECHNICAL DATA

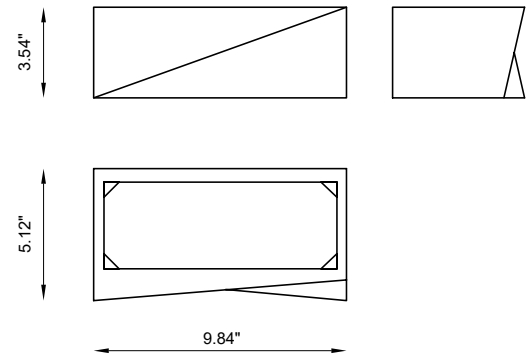
Wattage / Input	2 x 6.5W (120-277VAC)
Power Supply	Integral 0-10V Dimming
Construction	Body: AirCoral®
CCT	3000K (2700K, 4000K on request)
CRI	>90
Delivered Lumens	810 lm per beam (3000K)
Efficacy	124.6 lm/W per beam
Optics	120°
Finishes	Unfinished - suitable for painting
Fixture Dimensions	9.84" l x 5.12" w x 3.54" h
Fixture Weight	-
IP Rating	IP20

The body is made of AirCoral® a unique patented composite material that actually purifies the air. It can be calculated how many cubic feet each fixture will purify. See website for AirCoral® calculator.

Additionally, AirCoral® is:

- Antibacterial.
- Antifungal.
- Scratch-resistant.
- Dust-resistant.
- Suitable for painting.
- LEED recognized material.

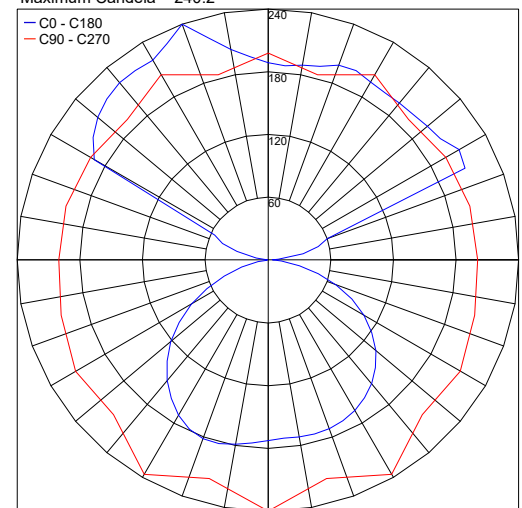
Fixture Dimensions



PHOTOMETRIC DATA

Note all Photometry is 3000K

Maximum Candela = 240.2



ORDERING INFORMATION

Example: BU2816.AC.US.

BU2816	AC	US
Model No.	Finish	
BU2816	AC - AirCoral®	US

Job Name/Date:

Fixture Type Designation: