

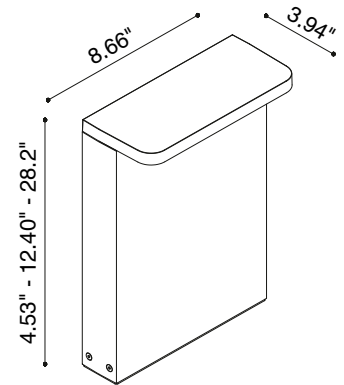
Zeus is an IP65-rated, square bollard for ground or solid surface installation. It is available in 3 heights (4.5", 12.4", 28.2"), 3 color temperatures and 5 standard finishes. Dark Sky compliant for output below 80°.



TECHNICAL DATA

Wattage / Input	10W (24VDC)
Power Supply	Remote, not included. See page 2.
Construction	Head/Base: Die-Cast Aluminum Pole: Extruded Aluminum Lens: Tempered, Transparent Glass Diffuser
CCT	2700K, 3000K, 4000K
CRI	>80
BUG Rating	B0-U2-G1
Delivered Lumens	362 lm (3000K) Dark Sky compliant, output below 80°
Efficacy	36.2 lm/W (3000K)
Optics	Diffuse
LED Source	Mid Power LED
Finishes	5 Standard, See Below
Fixture Dimensions	8.66" l x 3.94" w x 4.53" or 12.4" h
IP Rating	IP65
Impact Resistance	IK06

Fixture Dimensions



ORDERING INFORMATION

Example: D901521053.US. Power Supplies / Accessories sold separately.

D9015				US
Model No.	CCT	Height	Finish	
D9015	310 - 2700K	4 - 4.5" h	2 - White	US
	110 - 3000K	5 - 12.4" h	3 - Sand	
	210 - 4000K	6 - 28.2" h	4 - Graphite	
			5 - Aluminum	
			8 - Corten	

Job Name/Date:

Fixture Type Designation:

SUGGESTED POWER SUPPLIES

24VDC

Part Number	Description	Input/Output	Fixtures
PPLT00481	Non-Dim	120-277VAC to 24VDC, 24W, Class 2	1-1
PPLT00586	Non-Dim	120-277VAC to 24VDC, 40W, Class 2	1-3
PPLT00090	Non-Dim	120VAC to 24VDC, 75W, Class 2	1-6
PPLT00709	ELV / TRIAC & 0-10V Dimming	120-277VAC to 24VDC, 96W, Class 2, DAMP	1-7
PPLT00543	0-10V Dimming to 15% (-40°C / -40°F cold weather start)	120-277VAC to 24VDC, 100W, Class 2	1-8

Suggested Lutron Compatible

Part Number	Option	Lutron SKU	Dim Range	Description	Input/Output	# of Fixtures
PPLT00273	L3DAE / L3DA3W	L3DA	100%-1%	Hi-Lume™ 1% EcoSystem™ or 1% 3-Wire LED Driver	120-277VAC to 24VDC, 40W, Class 2	1-3
PPLT00530	L3D0	L3D0	100%-0.1%	Hi-Lume™ Premier 0.1% or Ecosystem 3-Wire LED Driver	120-277VAC to 24VDC, 96W, Class 2	1-7

For other power supply options consult factory.

ACCESSORIES - Installation



D9042
Anchor Bolts

FINISHES



white



sand



graphite



aluminum



corten

PHOTOMETRIC DATA

Coming Soon

Job Name/Date:

Fixture Type Designation: