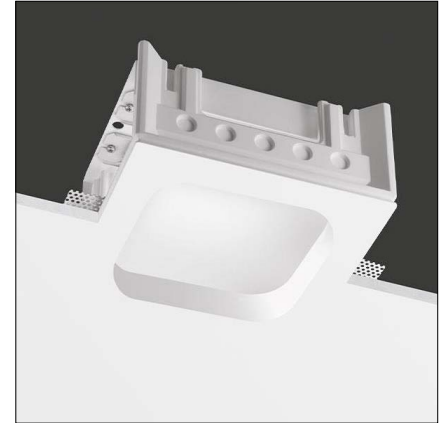


Zoom is a totally disappearing, square, indoor downlight with a rounded light emission hole. It is made of AirCoral® and comes fixed or adjustable +/- 30° with a standard color temperature of 3000K.



## TECHNICAL DATA

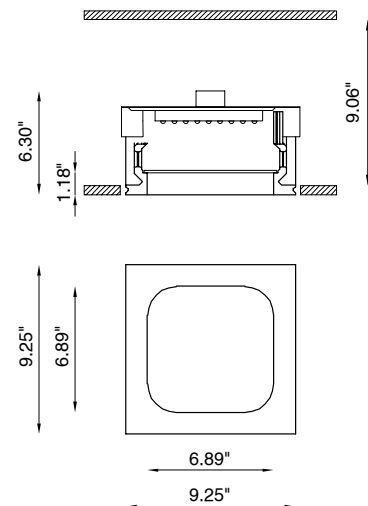
<b>Wattage / Input</b>	40W (1050mA) 2 x 6.5W (350mA)
<b>Power Supply</b>	Integral or Remote, not included? See page 2.
<b>Construction</b>	Body: AirCoral® Lens: Frosted Glass
<b>CCT</b>	3000K (2700K, 4000K on request)
<b>CRI</b>	>90
<b>Delivered Lumens</b>	2589 lm (40W, 3000K - BU6181) 1881 lm (2x6.5W, 3000K - BU6183)
<b>Efficacy</b>	64.7 lm/W (BU6181) 144.7 lm/W (BU6183)
<b>Optics</b>	40° (BU6181) 120° (BU6183)
<b>Finishes</b>	AirCoral® Plaster
<b>Fixture Dimensions</b>	9.25" l x 9.25" w x 6.30" h
<b>Cutout Dimensions</b>	9.65" x 9.65"
<b>Aperature</b>	6.89" x 6.89"
<b>Fixture Weight</b>	7.05 lbs
<b>IP Rating</b>	IP40

The body is made of Aircoral® a unique patented composite material that actually purifies the air. It can be calculated how many cubic feet each fixture will purify. See website for Aircoral® calculator.

Additionally, Aircoral® is:

- Antibacterial.
- Antifungal.
- Scratch-resistant.
- Dust-resistant.
- Suitable for painting.
- LEED recognized material.

Fixture Dimensions



## ORDERING INFORMATION

Example: BU6183.AC.30.US. Power supplies ordered separately.

	AC		.US
<b>Model No.</b>	<b>Material</b>	<b>CCT</b>	
BU6181 (40W) BU6183 (2 x 6.5W)	AC - AirCoral®	30 - 3000K (standard) 27 - 2700K (on request) 40 - 4000K (on request)	

Job Name/Date:

Fixture Type Designation:

## SUGGESTED POWER SUPPLIES

1050mA - 40W version (BU6181)

Part Number	Description	Input/Output	Fixtures
<a href="#">PPLT00190</a>	0-10V Dimming to 10%	120-277VAC to 1050mA, 42W, Class 2	1-1
<a href="#">PPLT00309-P</a>	0-10V Dimming to 0.1%	120-277VAC to 1050mA, 50W, Class 2	1-1
<a href="#">PPLT00467-P</a>	0-10V Dimming to 1.0%	120-277VAC to 1050mA, 60W, Class 2	1-1

## SUGGESTED POWER SUPPLIES

350mA - 13W version (BU6183)

Part Number	Description	Input/Output	Fixtures
<a href="#">PPLT00468</a>	Phase Dim (120V only)	120VAC to 350mA, 14W, Class 2	1-1
<a href="#">PPLT00465-P</a>	0-10V Dimming to 1.0%	120-277VAC to 350mA, 20W, Class 2, DAMP	1-1
<a href="#">PPLT00308-P</a>	0-10V Dimming to 0.1%	120-277VAC to 350mA, 30W, Class 2, DAMP	1-2
<a href="#">PPLT00263</a>	Leading / Trailing Edge Dimming to 10% (120V only)	120-277VAC to 350mA, 32W, Class 2	1-1
<a href="#">PPLT00538-P</a>	0-10V Dimming to 0.1%	120-277VAC to 350mA, 100W, Class 2	1-4

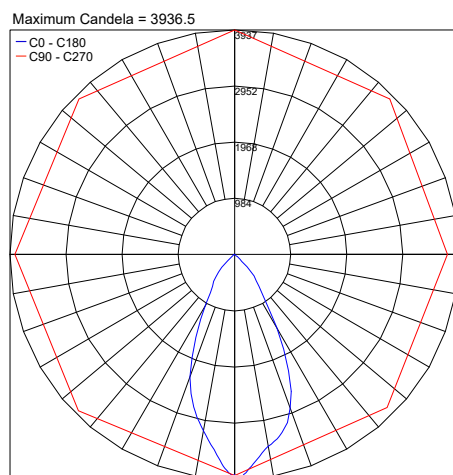
Suggested Lutron Compatible - 350mA - 13W version (BU6183)

Part Number	Option	Lutron SKU	Dim Range	Description	Input/Output	# of Fixtures
<a href="#">PPLT00516</a>	L3DAE / L3DA3W	L3DA	100%-1%	Hi-Lume™ 1% EcoSystem™ or 1% 3-Wire LED Driver	120-277VAC to 350mA, 13W, Class 2	1-1

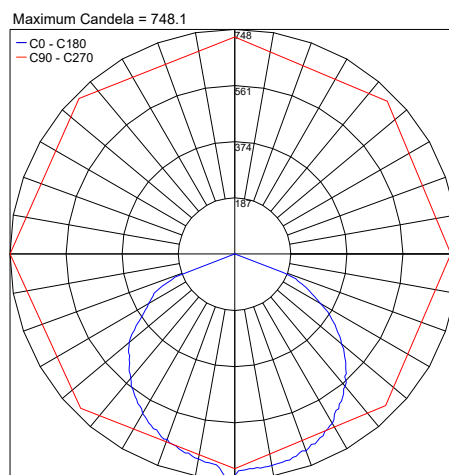
For other power supply options consult factory.

## PHOTOMETRIC DATA

Note: All photometry is 3000K.



PHOTOMETRIC FILENAME : ZOOM BU6181.AC 40W 3000K.IES



PHOTOMETRIC FILENAME : ZOOM BU6183.AC 2X6.5W 3000K.IES

Job Name/Date:

Fixture Type Designation: