

ATMOS IP20

INDOOR

Fix (not adjustable) 0° - 0°

□ 19.84" × 19.84"

Material : CALCYT® plaster



reddot design award
winner 2010

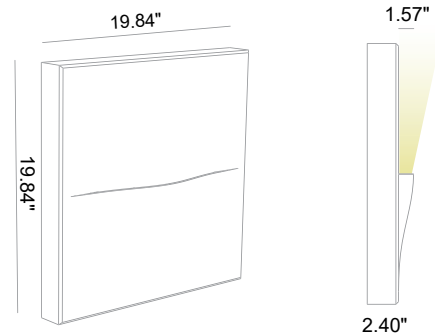
DESIGN PLUS

powered by: light+building



product
design
award

2011

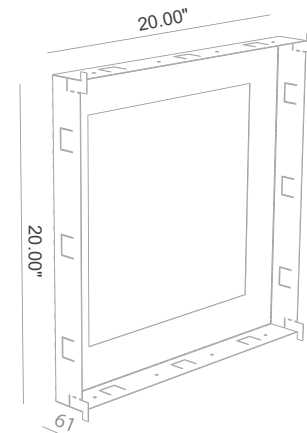


The acclaimed Atmos light fixture is probably one of the best examples of how Brick In The Wall achieves the 'invisible integration of light'. When the lights are out, the fully paintable Atmos seems to vanish into your wall. Switch it on, and the light mysteriously appears through an incision in the architecture. The award winning Atmos is a little bit of magic, that that is sure to intrigue your guests. The state of the art, energy efficient LED unit, allows you to create a unique indirect lighting solution, The unique esthetics and design of the Atmos series of wall lights, has drawn international recognition from designers and architects alike.

Ready for installation in solid walls
Optional plasterkit for installation into **outer casing**

PLASTERKIT ATMOS

REF N° 745 01 000 For mounting into **outer casing**
Housing: perforated aluminum



designplan™

79 Trenton Avenue
Frenchtown, NJ 08825

Tel: (908) 996-7710
Fax: (908) 996-7042



ATMOS

BRICK IN THE WALL / designplan

