

# ATOM



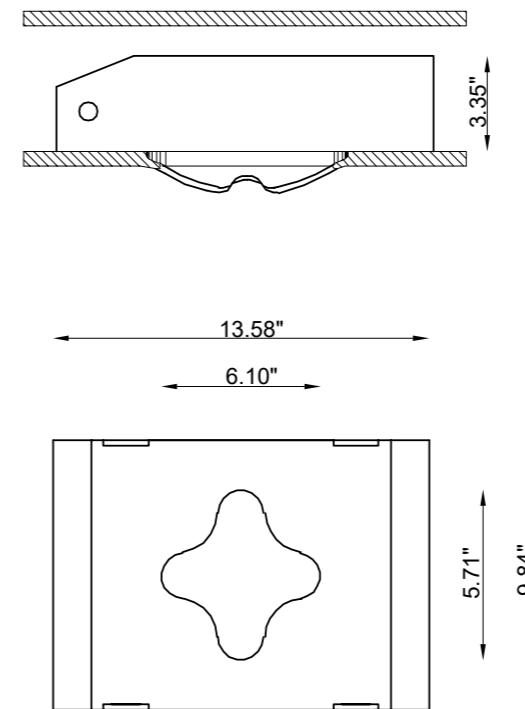
Form combines with substance and design becomes the essence of elegance in a product with soft and sinuous lines: Atom, an indoor totally disappearing semi recessed luminaire, installable on plasterboard or brick ceilings, is a solution with a unique appeal. The glass covers up the elegant lines of the AirCoral® body thanks to satin finishing touches, which allow the beams of light to uniformly scatter within the space. A luminaire with a strong yet delicate effect, an innovative answer to the desire of lighting every environment with style.

designplan™ 



79 Trenton Avenue  
Frenchtown, NJ 08825

[www.designplan.com](http://www.designplan.com)

Tel: (908) 996-7710  
Fax: (908) 996-7042



## TECHNICAL FEATURES

Code	BU6153.Z.AC.US
Type	Downlight 90° 
Material	AC: AirCoral®
Absorption capacity*	46.06 ft <sup>2</sup>
Weight	5.51 lbs
Mounting	Ceiling half recessed
IP rating	IP40
Control gear	Constant current electronic driver
Cut out for plasterboard	9.84" x 11.02"
Lamp type	LED 500mA 
Lamp wattage	1 x 10W
Luminous efficacy	105 lm/W - 3000K
Light distribution	Wide beam 40°
Light color	White 3000K
Light hole	5.71" x 6.10"
CRI	>90

\* The absorption capacity per ft<sup>3</sup> calculated by the American organization TCNA (Tile Council of North America) is measured for an average room of 8.86' in height and therefore expressed in ft<sup>2</sup>