

BEAM 2.6
3000K, 2W, double beam, stainless steel



designplan™ 

79 Trenton Avenue
Frenchtown, NJ 08825

www.designplan.com

Tel: (908) 996-7710
Fax: (908) 996-7042

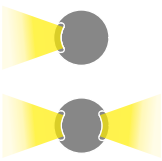


BEAM

OUTDOOR STEP LIGHTS
WALKWAY LIGHTING



RADIAL OPTICS ROUND COVER



CONSTANT CURRENT



BEAM 2.0

single beam: 2W 500mA
double beam: 2W 350mA

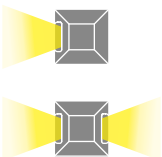
CONSTANT VOLTAGE



BEAM 2.6

single beam, double beam:
2W 24VDC

RADIAL OPTICS SQUARE COVER



BEAM 2.1

single beam: 2W 500mA
double beam: 2W 350mA



BEAM 2.7

single beam, double beam:
2W 24VDC



BEAM 1.0
RGB, 3W, 30°, stainless steel

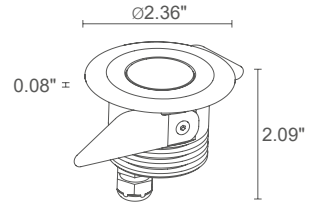
Project and light planning by / DVDV Studio Architetti
Photo by / Alessio Tamborini
Private residence, Milan, Italy



BEAM



BEAM 1.0



POWER / POWER SUPPLY MODEL NO.	3W 700mA blue/white light CD1013 ■ A I Stainless steel CD1013 ■ A F Grey 3W 350mA RGB light CD1011 6 ■ A I Stainless steel CD1011 6 ■ A F Grey
LED COLOR	F - 2700K 5 - 3000K 9 - 4000K 0 - 5000K 1 - blue
OPTICS	S - 8° M - 26° L - 44° D - diffuse RGB: S - 19° M - 30° L - 37° D - diffuse
LUMEN OUTPUT AT SOURCE	184 lm (3000K, 700mA) RGB 217 lm: (R) 80 lm, (G) 104 lm, (B) 33 lm (350mA)
DELIVERED LUMEN OUTPUT	114 lm (3000K, 700mA, 26°) RGB 154 lm: (R) 57 lm, (G) 74 lm, (B) 23 lm (350mA, 19°)
NO. AND TYPE OF LED	1 power LED, 1/4 ANSI BIN (white LED color) RGB: 3 full-color LEDs 50,000h L80 B10 (Ta 25°C)
MATERIAL	body in anodized aluminum trim in AISI 316L stainless steel or aluminum lens in transparent extra-clear glass (optics version) lens in sandblasted extra-clear glass (diffuse version)
POWER SUPPLY UNIT	remote power supply required, not included
WIRING	series
MOUNTING	recessed (ceiling, wall, ground)
NOTES	version with 24VDC power supply available on request

BEAM

ACCESSORIES AND POWER SUPPLY UNITS

ACCESSORIES FOR INSTALLATION



WC1500

Outer casing for solid walls



WC1501

Outer casing for solid walls

POWER CABLES

Neoprene cables
H05RN-F 2x0.01"/0.03" Ø0.25"
IPS

- 1 (**WF5005**) - 16.40'
- 2 (**WF5010**) - 32.81'
- 3 (**WF5015**) - 49.21'
- 4 (**WF5020**) - 65.62'

white LED color

FEP+RUB cables
(equivalent to H05RN-F)
6x0.02"/0.02" Ø0.25"
IPS

- 1 (**WF7305**) - 16.40'
- 2 (**WF7310**) - 32.81'
- 3 (**WF7315**) - 49.21'
- 4 (**WF7320**) - 65.62'

RGB

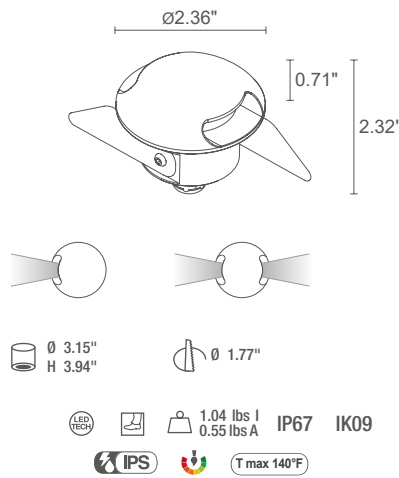
to order the power cable, add the suffix
-1, -2, -3 or -4 to the code for the lighting fixture



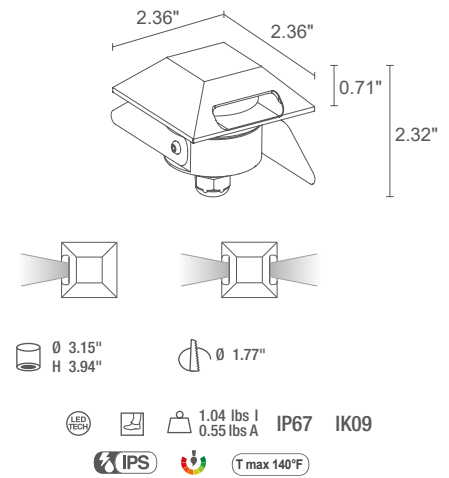
BEAM 2



BEAM 2.0



BEAM 2.1

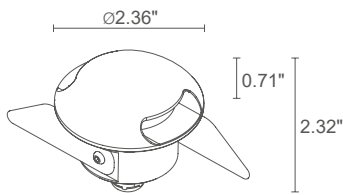


POWER / POWER SUPPLY MODEL NO.	<p>2W 500mA single beam CD2012 ■ D A I Stainless steel CD2012 ■ D A F Grey CD2012 ■ D A H Anthracite</p> <p>2W 350mA double beam CD2021 ■ D A I Stainless steel CD2021 ■ D A F Grey CD2021 ■ D A H Anthracite</p>
LED COLOR	<p>F - 2700K 5 - 3000K 9 - 4000K 0 - 5000K 1 - blue</p>
OPTICS	radial
LUMEN OUTPUT AT SOURCE	<p>single beam: 145 lm (3000K, 500mA) double beam: 112 lm (3000K, 350mA) per beam</p>
DELIVERED LUMEN OUTPUT	<p>single beam: 70 lm (3000K, 500mA) double beam: 51 lm (3000K, 350mA) per beam</p>
NO. AND TYPE OF LED	<p>single beam: 1 power LED double beam: 2 power LEDs 1/4 ANSI BIN (white LED colour) 50,000h L90 B10 (Ta 25°C)</p>
MATERIAL	body in stainless steel or anodized aluminum trim in stainless steel or aluminum lens in sandblasted plexiglass
POWER SUPPLY UNIT	remote power supply required, not included
WIRING	series
MOUNTING	recessed (wall, ground)

POWER / POWER SUPPLY MODEL NO.	<p>2W 500mA single beam CD2112 ■ D A I Stainless steel CD2112 ■ D A F Grey CD2112 ■ D A H Anthracite</p> <p>2W 350mA double beam CD2121 ■ D A I Stainless steel CD2121 ■ D A F Grey CD2121 ■ D A H Anthracite</p>
LED COLOR	<p>F - 2700K 5 - 3000K 9 - 4000K 0 - 5000K 1 - blue</p>
OPTICS	radial
LUMEN OUTPUT AT SOURCE	<p>single beam: 145 lm (3000K, 500mA) double beam: 112 lm (3000K, 350mA) per beam</p>
DELIVERED LUMEN OUTPUT	<p>single beam: 70 lm (3000K, 500mA) double beam: 51 lm (3000K, 350mA) per beam</p>
NO. AND TYPE OF LED	<p>single beam: 1 power LED double beam: 2 power LEDs 1/4 ANSI BIN (white LED color) 50,000h L90 B10 (Ta 25°C)</p>
MATERIAL	body in stainless steel or anodized aluminum trim in stainless steel or aluminum lens in sandblasted plexiglass
POWER SUPPLY UNIT	remote power supply required, not included
WIRING	series
MOUNTING	recessed (wall, ground)



BEAM 2.6



- 2W 24VDC single beam**
CD2612 ■ **D I** Stainless steel
CD2612 ■ **D F** Grey
CD2612 ■ **D H** Anthracite
- 2W 24VDC double beam**
CD2621 ■ **D I** Stainless steel
CD2621 ■ **D F** Grey
CD2621 ■ **D H** Anthracite

- F - 2700K
- 5 - 3000K
- 9 - 4000K
- 0 - 5000K
- 1 - blue

radial

single beam: 145 lm (3000K)
 double beam: 112 lm (3000K) per beam

single beam: 70 lm (3000K)
 double beam: 51 lm (3000K) per beam

single beam: 1 power LED
 double beam: 2 power LEDs
 1/4 ANSI BIN (white LED color)
 50,000h L90 B10 (Ta 25°C)

body in stainless steel or anodized aluminum
 trim in stainless steel or aluminum
 lens in sandblasted plexiglass

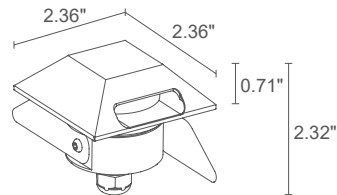
remote power supply required, not included

parallel

recessed (wall, ground)



BEAM 2.7



- 2W 24VDC single beam**
CD2712 ■ **D I** Stainless steel
CD2712 ■ **D F** Grey
CD2712 ■ **D H** Anthracite
- 2W 24VDC double beam**
CD2721 ■ **D I** Stainless steel
CD2721 ■ **D F** Grey
CD2721 ■ **D H** Anthracite

- F - 2700K
- 5 - 3000K
- 9 - 4000K
- 0 - 5000K
- 1 - blue

radial

single beam: 145 lm (3000K)
 double beam: 112 lm (3000K) per beam

single beam: 70 lm (3000K)
 double beam: 51 lm (3000K) per beam

single beam: 1 power LED
 double beam: 2 power LEDs
 1/4 ANSI BIN (white LED color)
 50,000h L90 B10 (Ta 25°C)

body in stainless steel or anodized aluminum
 trim in stainless steel or aluminum
 lens in sandblasted plexiglass

remote power supply required, not included

parallel

recessed (wall, ground)

BEAM

ACCESSORIES AND POWER SUPPLY UNITS

ACCESSORIES FOR INSTALLATION



WC1500

Outer casing for solid walls



WC1501

Outer casing for solid walls

POWER CABLES

Neoprene cables
H05RN-F 2x0.01"/0.03" Ø0.25"
IPS

-1 (WF5005) - 16.40'
-2 (WF5010) - 32.81'
-3 (WF5015) - 49.21'
-4 (WF5020) - 65.62'

(Beam 2.0 / 2.1)

Neoprene cables
H05RN-F 2x0.01"/0.03" Ø0.25"
IPS

-1 (WF8405) - 16.40'
-2 (WF8410) - 32.81'
-3 (WF8415) - 49.21'
-4 (WF8420) - 65.62'

(Beam 2.6 / 2.7)
single beam

Neoprene cables
H05RN-F 2x0.01"/0.03" Ø0.25"
IPS

-1 (WF8305) - 16.40'
-2 (WF8310) - 32.81'
-3 (WF8315) - 49.21'
-4 (WF8320) - 65.62'

(Beam 2.6 / 2.7)
double beam

to order the power cable, add the suffix
-1, -2, -3 or -4 to the code for the lighting fixture



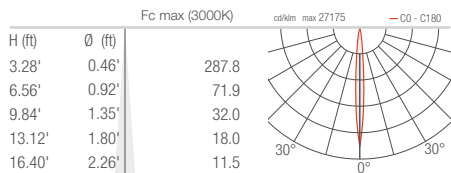


BEAM

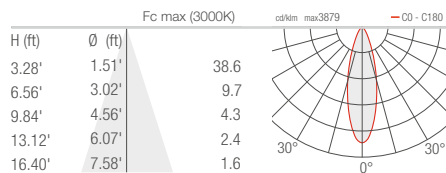
OUTDOOR RECESSED

BEAM 1.0

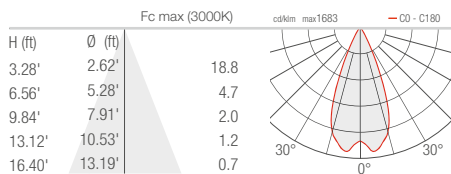
S - 8°



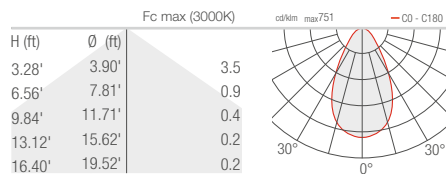
M - 26°



L - 44°



D - Diffuse



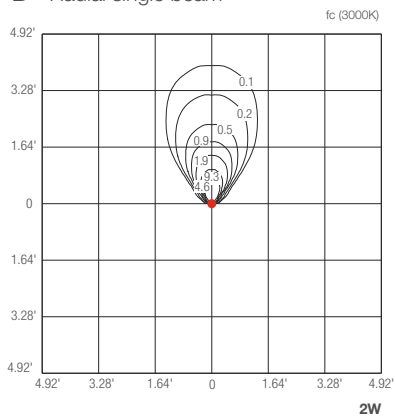
BEAM

OUTDOOR STEP LIGHTS

BEAM 2.0

- 2.1
- 2.6
- 2.7

D - Radial single beam



D - Radial double beam

