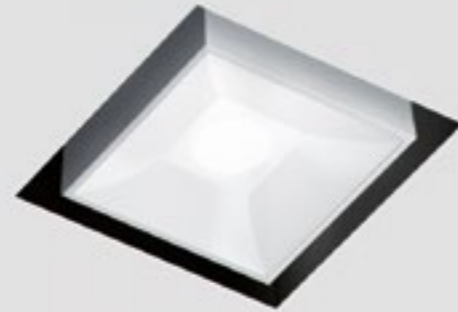


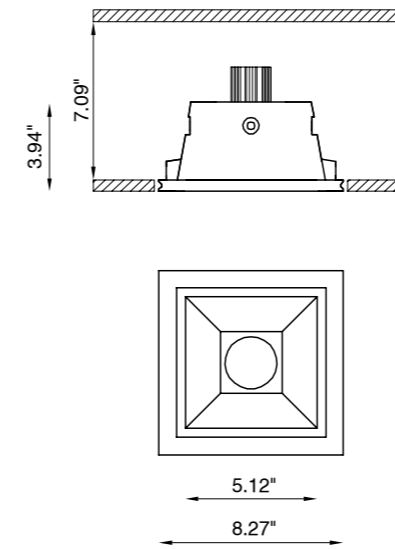
Design
Marco Acerbis





BELL



An indoor and total disappearing luminaire of AirCoral®, Bell is installable on plasterboard ceilings. It is characterised by an internal, rounded perimetral empty space creating a contrast between light and shadow, of presence and absence of matter. The backward light source casts a sharp beam which, at the same time, scatters softly both on the body surface and in the environment. Bell is a new typology of lamp whose personality is always visible, with the light switched on or off as well. This personality reflects itself in the surrounding environment too.



TECHNICAL FEATURES

Code	BU1901.AC.US
Type	Downlight 90° 
Material	AC: AirCoral®
Weight	-
Mounting	Ceiling recessed
IP rating	IP20
Control gear	Constant current electronic driver (not included)
Cut out for plasterboard	8.66" x 8.66"
Lamp type	LED 500mA 
Lamp wattage	1 x 10W
Luminous efficacy	105 lm/W - 3000K
Light distribution	Wide beam 40°
Light color	White 3000K White 2700K 4000K (on request)
Light hole	5.12" x 5.12"
CRI	>90



79 Trenton Avenue
Frenchtown, NJ 08825

www.designplan.com

Tel: (908) 996-7710
Fax: (908) 996-7042

* The absorption capacity per m³ calculated by the American organization TCNA (Tile Council of North America) is measured for an average room of 2.7 m in height and therefore expressed in m²

