

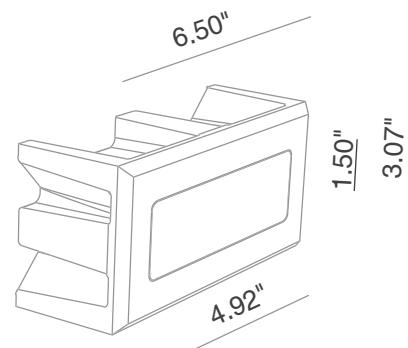
BIBA IP20

INDOOR

Fix (not adjustable) 0° - 0°

3.23" x 6.65"

Material : CALCYT® plaster and frosted diffuser



2.36"

BIBA LED DIM 100 LM

REF N° 123 60 500 CRI 80 warm white 2200°K

REF N° 123 60 000 CRI 90 warm white 2700°K

REF N° 123 60 100 CRI 90 warm white 3000°K

REF N° 123 60 200 CRI 90 neutral white 4000°K

REF N° 123 60 300 royal blue

1W - excl. LED driver - current controlled 350mA - **LF** - **Ⓟ**
serial wiring - 3 Step MacAdam
Requires remote LED driver - 350mA

BIBA LED DIM 200 LM

REF N° 123 62 500 CRI 80 warm white 2200°K

REF N° 123 62 000 CRI 90 warm white 2700°K

REF N° 123 62 100 CRI 90 warm white 3000°K

REF N° 123 62 200 CRI 90 neutral white 4000°K

REF N° 123 62 300 royal blue

2W - excl. LED driver - current controlled 350mA - **LF** - **Ⓟ**
serial wiring - 3 Step MacAdam
Requires remote LED driver - 350mA

BIBA LED DIM 400 LM

REF N° 123 61 500 CRI 80 warm white 2200°K

REF N° 123 61 000 CRI 90 warm white 2700°K

REF N° 123 61 100 CRI 90 warm white 3000°K

REF N° 123 61 200 CRI 90 neutral white 4000°K

REF N° 123 61 300 royal blue

4W - excl. LED driver - current controlled 350mA - **LF** - **Ⓟ**
serial wiring - 3 Step MacAdam
Requires remote LED driver - 350mA

Ready for installation in solid walls
Optional plasterkit for installation into gypsum walls

PLASTERKIT BIBA

REF N° 723 01 000 For mounting into gypsum walls

Housing: perforated aluminum

