

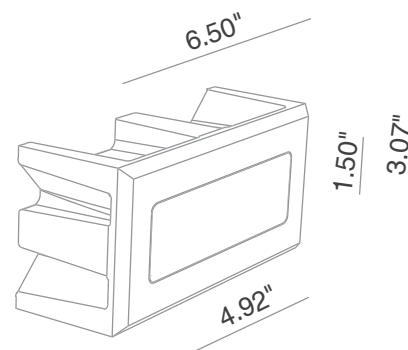
BIBA IP54

BATHROOM

Fix (not adjustable) 0° - 0°

3.23" × 6.65"

Material : CALCYT® plaster and frosted diffuser

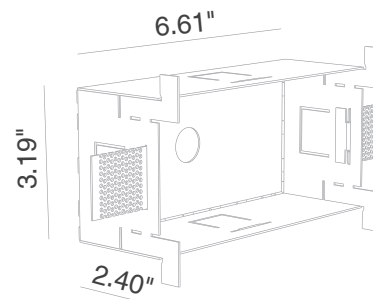


2.36"

Ready for installation in solid walls
Optional plasterkit for installation into gypsum walls

PLASTERKIT BIBA

REF N° 723 01 000 For mounting into gypsum walls
Housing: perforated aluminum



BIBA LED DIM 100 LM

REF N° 123 60 501 CRI 80 warm white 2200°K

REF N° 123 60 001 CRI 90 warm white 2700°K

REF N° 123 60 101 CRI 90 warm white 3000°K

REF N° 123 60 201 CRI 90 neutral white 4000°K

REF N° 123 60 301 royal blue

1W - excl. LED driver - current
controlled 350mA - - -
serial wiring - 3 Step MacAdam
Requires remote LED driver - 350mA

BIBA LED DIM 200 LM

REF N° 123 62 501 CRI 80 warm white 2200°K

REF N° 123 62 001 CRI 90 warm white 2700°K

REF N° 123 62 101 CRI 90 warm white 3000°K

REF N° 123 62 201 CRI 90 neutral white 4000°K

REF N° 123 62 301 royal blue

2W - excl. LED driver - current
controlled 350mA - - -
serial wiring - 3 Step MacAdam
Requires remote LED driver - 350mA

BIBA LED DIM 400 LM

REF N° 123 61 501 CRI 80 warm white 2200°K

REF N° 123 61 001 CRI 90 warm white 2700°K

REF N° 123 61 101 CRI 90 warm white 3000°K

REF N° 123 61 201 CRI 90 neutral white 4000°K

REF N° 123 61 301 royal blue

4W - excl. LED driver - current
controlled 350mA - - -
serial wiring - 3 Step MacAdam
Requires remote LED driver - 350mA