

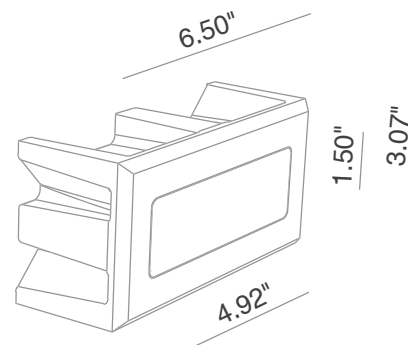
# BIBA IP54

OUTDOOR

Fix (not adjustable) 0° - 0°

3.23" × 6.65"

Material : waterproof CALCYT+® and frosted diffuser

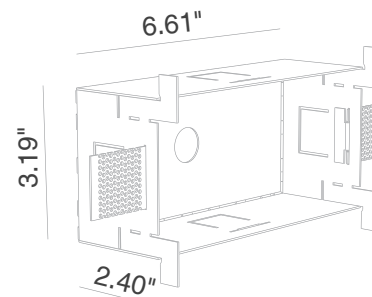


2.36"

Ready for installation in solid walls  
Optional plasterkit for installation into gypsum walls

## PLASTERKIT BIBA

REF N° 723 01 000 For mounting into gypsum walls  
Housing: perforated aluminium



## BIBA LED DIM 100 LM

REF N° 123 60 505 CRI 80 warm white 2200°K

REF N° 123 60 005 CRI 90 warm white 2700°K

REF N° 123 60 105 CRI 90 warm white 3000°K

REF N° 123 60 205 CRI 90 neutral white 4000°K

REF N° 123 60 305 royal blue

1W - excl. LED driver - current controlled 350mA - - - serial wiring - 3 Step MacAdam  
Requires remote LED driver - 350mA

## BIBA LED DIM 200 LM

REF N° 123 62 505 CRI 80 warm white 2200°K

REF N° 123 62 005 CRI 90 warm white 2700°K

REF N° 123 62 105 CRI 90 warm white 3000°K

REF N° 123 62 205 CRI 90 neutral white 4000°K

REF N° 123 62 305 royal blue

2W - excl. LED driver - current controlled 350mA - - - serial wiring - 3 Step MacAdam  
Requires remote LED driver - 350mA

## BIBA LED DIM 400 LM

REF N° 123 61 505 CRI 80 warm white 2200°K

REF N° 123 61 005 CRI 90 warm white 2700°K

REF N° 123 61 105 CRI 90 warm white 3000°K

REF N° 123 61 205 CRI 90 neutral white 4000°K

REF N° 123 61 305 royal blue

4W - excl. LED driver - current controlled 350mA - - - serial wiring - 3 Step MacAdam  
Requires remote LED driver - 350mA