



**INSTRUCTIONS PERTAINING TO RISK OF FIRE OR INJURY TO PERSONS. READ ALL INSTRUCTIONS. IMPORTANT SAFETY INSTRUCTIONS. SAVE THESE INSTRUCTIONS.**

**DANGER - RISK OF SHOCK - DISCONNECT POWER BEFORE INSTALLATION! Please read all instructions before installation.**

- Keep these instructions for future reference.
- Must be installed by a qualified electrician in accordance with national and local standards. Designplan is not responsible for fixtures installed without regard to these standards.
- Unauthorized alterations or tampering of product voids warranty.
- The main power connection must be in accordance with local electrical codes.
- Suitable for OUTDOOR applications.



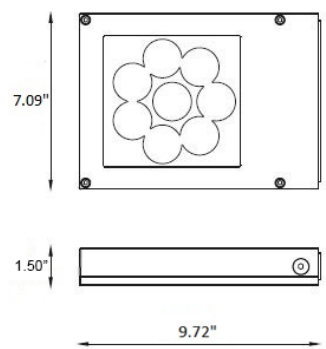

**ATTENTION: For Wall/Ceiling** - It is the contractor's responsibility to caulk around all the edges between the fixture and the mounting surface to satisfy wet label requirements.

## Maintenance

Scheduled maintenance must be carried out once a year on all lighting devices, regardless of appliance class and type of use. It must include the following operations:

- Periodically clean fixtures to remove dirt from gratings and screw heads.
- Check tightness of screws on various parts of the device.
- Check that all cable glands and cables are intact and tight. Check that the glass or plastic lens is intact, and replace it if broken or damaged.
- The internal components such as the ballast, driver, washers and screws must not show clear signs of oxidation or rust. Clear traces of rust and oxidation will indicate the presence of water inside the device.
- In the case of damage, the components must be replaced by original components or spare parts.

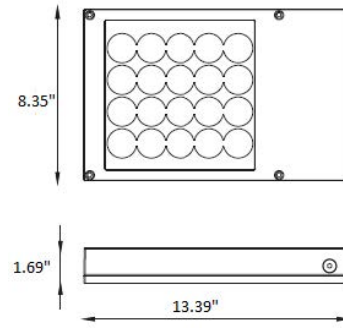

**COD. 109001**



**BOOK MEDIUM LED**

- Power consumption : 12W
- Voltage 120-277VAC 50-60Hz
- Color Temperature : 3000K - 6000K
- Beam angle : 10° 30° 45°
- Lumen output : see catalog details
- Insulation class: I
- IP protection: IP65
- Gross weight: 5.51 lbs

**COD. 109002**



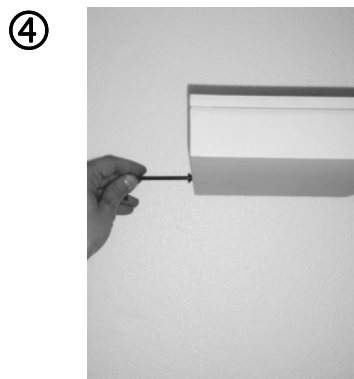
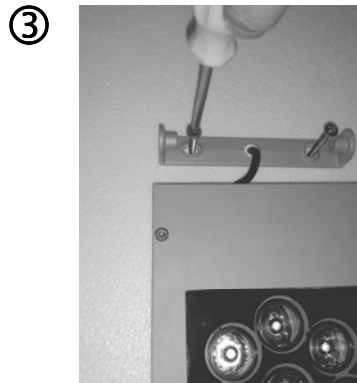
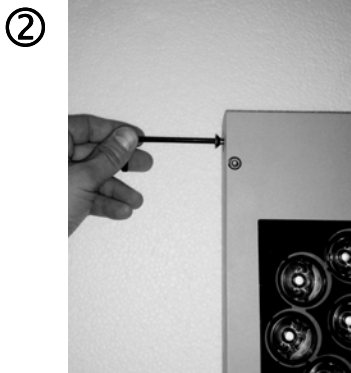
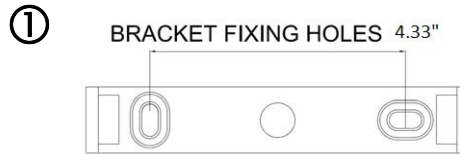
**BOOK MAXI LED**

- Power consumption : 30W
- Voltage :120-277VAC 50-60Hz
- Color Temperature : 3000K - 6000K
- Beam angle : 10° 30° 45°
- Lumen output: see catalog details
- Insulation class: I
- IP protection: IP65
- Gross weight: 6.17 lbs

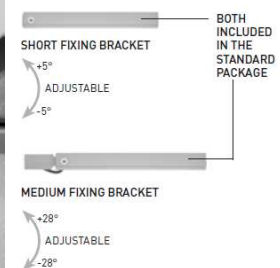
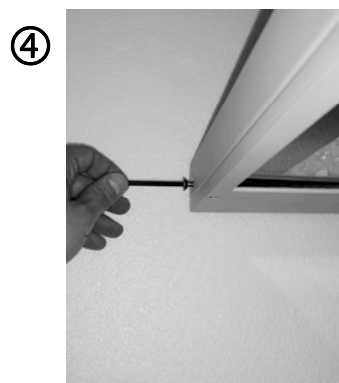
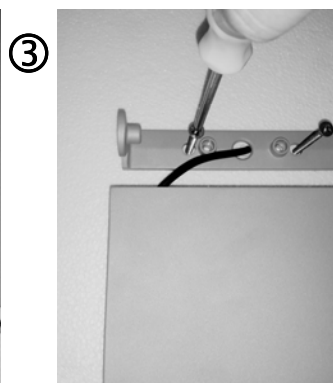
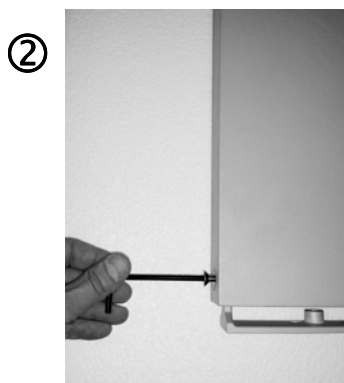
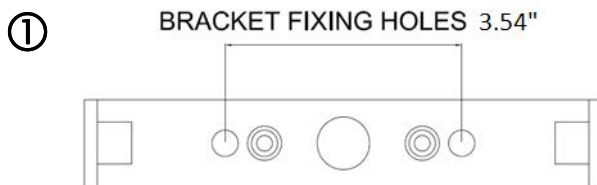
## Fixture Installation

installation instructions

### BOOK MEDIUM LED



### BOOK MAXI LED



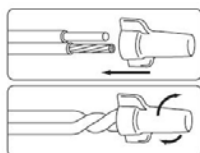
1) Drill holes in the wall suitable at the point of supply, according to the measurements in the figure using appropriate tools (not provided).

2) Remove the fixing bracket by using the hexagonal tool included in the package.

3) Make the appropriate electrical connections ( L-N - PE )

4) Fix the luminaire base to the wall, using the screws provided.

5) Fix the luminaire by screwing the 2 screws at both ends; it is possible to tilt the lamp +5° small bracket or +-28° medium bracket (only for hydrobook maxi).



Use gel-filled waterproof wire-nuts for wire connections.

- It is the contractor's responsibility to caulk around all seams of fixture to satisfy wet label requirements.

It is contractor's responsibility to caulk around all seams of fixture to satisfy wet label requirements.