

BRIGHT 1.0 316L

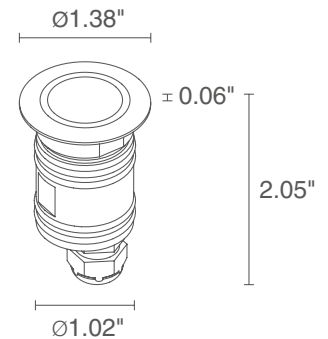
The Bright 1 316L Series are recessed uplights ideal for fountain and submersion use. These small yet powerful fixtures are available in various optical options in either static white or RGB models.



TECHNICAL DATA

Wattage / Input	2W (500mA)
Power Supply	Remote, not included. See page 2.
Construction	Body and Trim: AISI 316L Stainless Steel Lens: 0.39" Tempered, Transparent Extra-Clear Glass Cable Length: 16.4'
CCT	2700K, 3000K, 4000K, Blue
CRI	CRI>80
Delivered Lumens	127 lm (3000K, 21°)
Efficacy	63.5 lm/W
Optics	10°, 21°, 43°, Diffuse
Finishes	AISI 316L Stainless Steel
Fixture Dimensions	Ø1.38" x 2.05" h
Fixture Weight	1.06 lbs
LED Source	1 Power LED
Lumen Maintenance	L90, B10 >60,000hrs (Ta 25°C)
Color Consistency	2-Step MacAdam
Operating Temp.	-4°F to +113°F (Outdoor) +32°F to +113°F (Underwater)
IP Rating	IP68
Impact Rating	IK10

Fixture Dimensions
Ø1.38" x 2.05" h



OUTER CASING REQUIRED

ORDERING INFORMATION

Example: CW10125LAI-0. Accessories / Power Supplies ordered separately.

CW1012			AI	
Model No.	CCT	Optics		Cable Length
CW1012	F - 2700K 5 - 3000K 9 - 4000K 1 - Blue	D - Diffuse S - 10° M - 21° L - 43°	AI	0 - 16.40' 2 - 32.81' 3 - 49.21' 4 - 65.62'

Job Name/Date:

Fixture Type Designation:

SUGGESTED POWER SUPPLIES

500mA - FOR OUTDOOR USE ONLY

Part Number	Description	Input/Output	# of Fixtures
PPLT00466-P	0-10V Dimming to 1.0%	120-277VAC to 500mA, 10W, Class 2	1-5
PPLT00465-P	0-10V Dimming to 1.0%	120-277VAC to 500mA, 20W, Class 2	1-10
PPLT00309-P	0-10V Dimming to 0.1%	120-277VAC to 500mA, 50W, Class 2	1-16
PPLT00129-P	DMX / RDM (Field Addressable)	120-277VAC to 500mA, 100W, Class 2	1-48

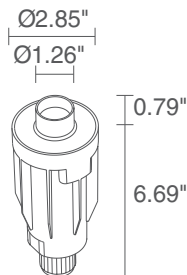
500mA - FOR USE WITH FOUNTAIN / WATER FEATURES

Part Number	Description	Input/Output	# of Fixtures
FPC-100EL0500	DMX / RDM (Field Addressable) / DALI	120-277VAC to 500mA, 100W, Class 2	1-24

For other power supply options consult factory.

ACCESSORIES

Installation



WC5003
Outer Casing
REQUIRED

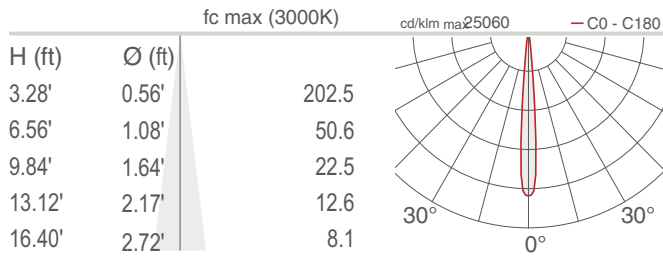
Job Name/Date:

Fixture Type Designation:

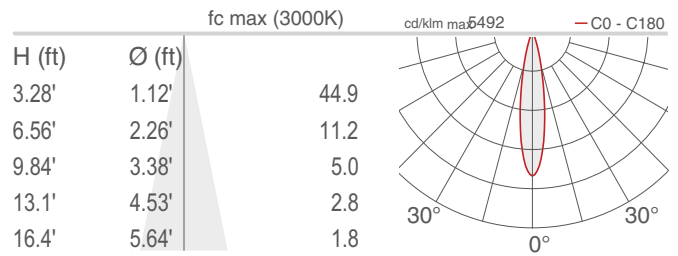
PHOTOMETRIC DATA

Note all Photometry is 3000K

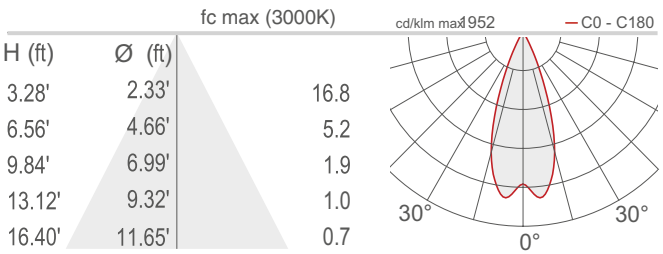
S - 10°



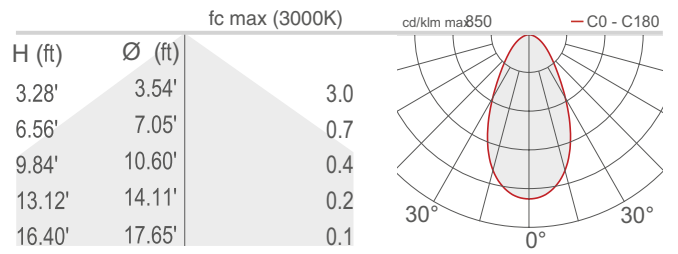
M - 20°



L - 40°



D - Diffuse



Job Name/Date:

Fixture Type Designation: