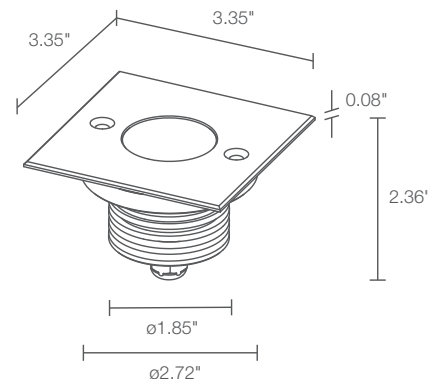


BRIGHT 2.7

Installation	recessed for outdoor applications (not suitable for immersion in swimming pools and fountains)
Mounting	recessed (ceiling, wall, floor)
Material	body in anodized aluminum, trim in AISI 316L stainless steel
Finishes	Bright 2.7: stainless steel,
No. and type of LED	3 power LEDs
Nom. power consumption	6W (3 power LEDs x 2W)
Power supply	12VDC, 24VDC
Power supply unit	not included
Total delivered lumens	314 lm (3000K)
Optics	10°, 24°, 38°, diffuse
LED color	white: 2700K, 3000K, 4000K, 5000K; blue
Ingress protection	IP68
Impact resistance	IK10



LED TECH IP68 2204.62 lbs 0.88 lbs IK10 IPS

6W - 12/24VDC

CB2732 A I Stainless steel

LED Color

Optics

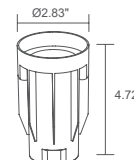
- 0 - 5000K
- 1 - Blue
- 5 - 3000K
- 9 - 4000K
- F - 2700K

- D - Diffuse
- L - 38°
- M - 24°
- S - 10°

Accessories



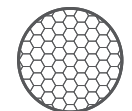
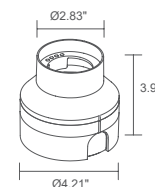
WC0100
Outer casing



WG0100
Fixing springs



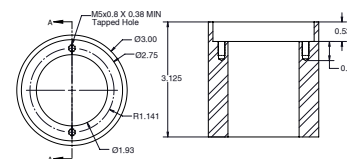
WC0103
Outer casing



WH0201*
Honeycomb louvre



PPMP03088
Core Drilled Application Sleeve



Job Name:

Fixture Type:

Last Modified:



sales@designplan.com
www.designplan.com