

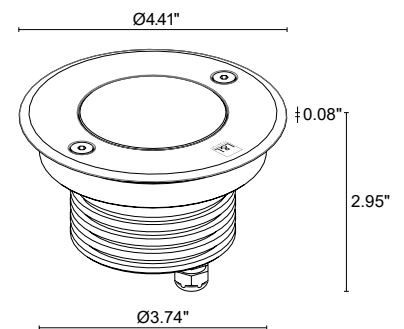
BRIGHT 3.H

The Bright 3.H is a small, powerful RGBW outdoor recessed fixture. It is available with 3 optics options and can be installed on ceilings, walls or floors. Drive-over rated up to 11,000 lbs with an IP69K protection rating. Not suitable for swimming pools or fountains. **The Bright 3, Smoothy 5 and Litus 5 series all use the same LED.**



Cutout Dimensions for ceiling/wall installations with fixing spring = Ø3.78"

Fixture Dimensions



TECHNICAL DATA

Wattage / Input	11W (24VDC)
Power Supply	Remote, not included. See page 2.
Construction	Body: Black-Anodized Anticorodal Aluminum Trim: AISI 316L Stainless Steel Lens: Tempered Diffuse Glass Cable Length: 4.92' (standard)
CCT	RGBW
CRI	>80 (4000K)
Delivered Lumens	278 lm: (R) 43 lm, (G) 87 lm, (B) 32 lm, (W) 116 lm (4000K, 18°)
Efficacy	25.3 lm/W
Optics	18°, 32°, 58°
Finishes	Stainless Steel
Fixture Dimensions	Ø4.41" x 2.95" h
Cut-out Size	Ø3.78" (for ceiling or wall installations)
Fixture Weight	1.76 lbs (with 4.92' standard cable)
LED Source	1 Power RGBW LED Group
Lumen Maintenance	L85, B10 >50,000hrs (Ta 25°C)
Color Consistency	—
Operating Temp.	-4°F to +113°F
IP Rating	IP68, IP69K
IK Rating	IK10

ORDERING INFORMATION

Example: CB3H00000070SI. Accessories / Power Supplies ordered separately.

CB3H00000070		I	-	
Model No.	Optics	Finish	Cable Length	
CB3H00000070	S - 18° M - 32° L - 58°	I - Stainless Steel	4.92' standard 1 - 16.40'	

Job Name/Date:

Fixture Type Designation:

SUGGESTED POWER SUPPLIES

24VDC - RGB

Part Number	Description	Input/Output	# of Fixtures
PPLT00288	DMX / RDM (Field Addressable) / Dali	120-277VAC to 24VDC, 100W, Class 2	1-7

For other power supply options consult factory.

ACCESSORIES

Installation



WC0105

Outer Casing

For in-grade use

WG0400

Fixing Spring Ø3.78"

For ceiling/wall use

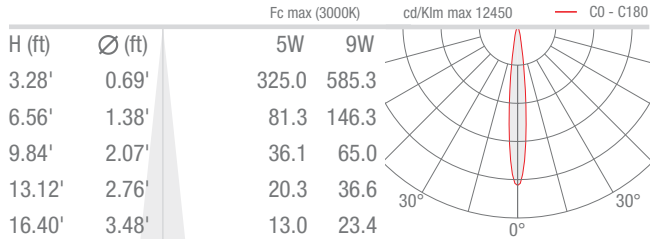
Job Name/Date:

Fixture Type Designation:

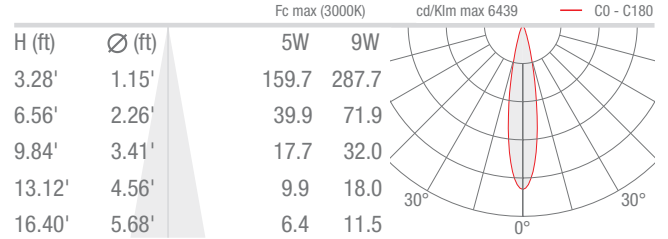
PHOTOMETRIC DATA

Note all Photometry is 3000K

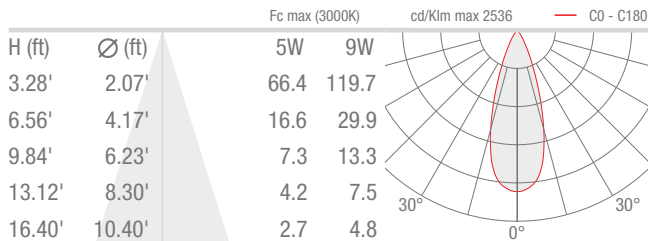
S – 12° CRI 80



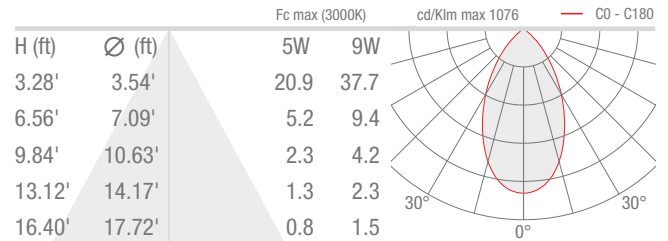
M – 20° CRI 80



L – 35° CRI 80



K – 57° CRI 80



Job Name/Date:

Fixture Type Designation: