

# BRIGHT 5.F

The Bright 5.F is a small, powerful IP69K outdoor recessed fixture. It is available in white light with 8 different optics options. This fixture can be installed in-grade, wall or ceiling mount. Not suitable for use in swimming pools or fountains. Drive-over rated up to 8,800 lbs.

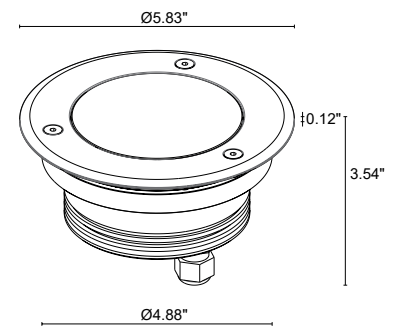
## TECHNICAL DATA

<b>Wattage / Input</b>	14W, 19W (24VDC)
<b>Power Supply</b>	Remote, not included. See page 2.
<b>Construction</b>	Body: Anodized Aluminum EN AW 6082 Trim: AISI 316L Stainless Steel Lens: Tempered Serigraphed-Gray and Transparent Extra-Clear Glass Cable Length: 4.92' standard
<b>CCT</b>	2700K, 3000K, 4000K
<b>CRI</b>	>80, >90
<b>Delivered Lumens</b>	See Delivered Lumens Chart
<b>Efficacy</b>	54.2-58.6 lm/W (14W), 58.8-63.6 lm/W (19W)
<b>Optics</b>	8 Standard (see below)
<b>Finishes</b>	Stainless Steel
<b>Fixture Dimensions</b>	Ø5.83" x 3.54" h
<b>Cut-out Size</b>	Ø4.92" (for ceiling or wall installations)
<b>Fixture Weight</b>	2.98 lbs
<b>LED Source</b>	3 High-Intensity Power LEDs
<b>Lumen Maintenance</b>	L95, B10 >50,000hrs (Ta 25°C)
<b>Color Consistency</b>	3-Step MacAdam
<b>Operating Temp.</b>	-4°F to +113°F
<b>IP Rating</b>	IP65, IP68, IP69K
<b>IK Rating</b>	IK10



Cutout Dimensions for ceiling/wall installations with fixing spring = Ø4.92"

Fixture Dimensions



<b>Delivered Lumens (3000K, 12°)</b>	14W	19W
<b>CRI 80</b>	821 lm	1208 lm
<b>CRI 90</b>	759 lm	1117 lm

## ORDERING INFORMATION

Example: CB3F001000FM or CB3F001000FM-2. Accessories / Power Supplies ordered separately.

Model No.	CRI	Optical Accessories	CCT	Optics	Finish	Cable Length
CB5F00 (14W)	0 - CRI>80	000 - None	F0 - 2700K	V - 10°	I - Stainless Steel	4.92' standard
CB5F01 (19W)	1 - CRI>90	001 - Honeycomb Louvre <i>Honeycomb Louvre not available with 67° x 11° adjustable optics</i>	50 - 3000K	T - 12°		1 - 16.40'
			90 - 4000K	S - 18°		2 - 32.81'
				M - 31°		3 - 49.21'
						4 - 65.62'

Job Name/Date:

Fixture Type Designation:

## SUGGESTED POWER SUPPLIES


24VDC

Part Number	Description	Input/Output	# of Fixtures	
			14W	19W
<a href="#">PPLT00481</a>	Non-Dim	120-277VAC to 24VDC, 24W, Class 2	1-1	1-1
<a href="#">PPLT00056</a>	Non-Dim	120-277VAC to 24VDC, 26W, Class 2, IP66	1-1	1-1
<a href="#">PPLT00157</a>	Non-Dim	120VAC to 24VDC, 60W, Class 2	1-3	1-2
<a href="#">PPLT00599</a>	ELV / TRIAC & 0-10V Dimming (100 to 0%)	120-277VAC to 24VDC, 96W, Class 2	1-5	1-4
<a href="#">PPLT00158</a>	Non-Dim	120VAC to 24VDC, 100W, Class 2	1-5	1-4
<a href="#">PPLT00543</a>	0-10V Dimming to 15% (-40°C / -40°F cold weather start)	120-277VAC to 24VDC, 100W, Class 2	1-5	1-4


For other power supply options consult factory.

## ACCESSORIES


### Installation




**WC0501**  
Outer Casing  
*For in-grade use*



**WC0601**  
Outer Casing  
*For in-grade use*



**WC0701**  
Outer Casing  
*For in-grade use*

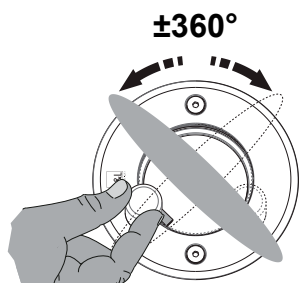


**WG0200**  
Fixing Spring  
*For ceiling/wall use*

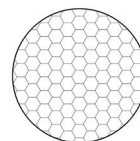
### Other Parts



**WE0201**  
Magnet for 67°x11° adjustable optics



### Anti-glare



**Honeycomb Louvre**  
*Can be provided on all fixed optics except for 67°x11° (W)*  
\*Order together with lighting fixture

Optics: 10°, 18°, 31°, 35°, 56°: optical system consisting of 3 high-efficiency TIR lenses combined with a high-quality technical filter, 12°: optical system consisting of 3 high-efficiency TIR lenses, 15°x47°: optical system consisting of 3 high-efficiency TIR lenses with elliptical emission, combined with a high-quality technical filter, 67°x11° adjustable through 360°: optical system consisting of 3 high-efficiency TIR lenses combined with a high-quality elliptical technical filter and integrated with magnetic material for adjusting the ellipsis (patented).

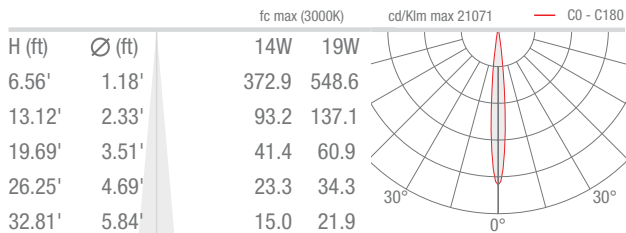
Job Name/Date:

Fixture Type Designation:

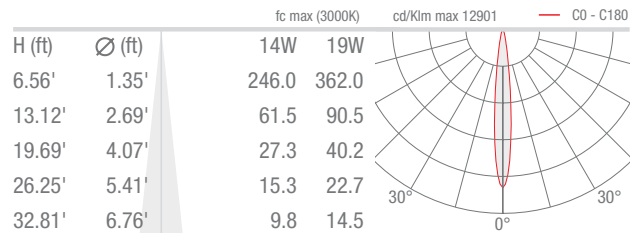
## PHOTOMETRIC DATA

Note all Photometry is 3000K

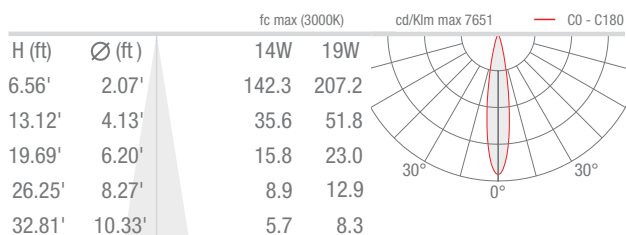
### V – 10° CRI 80



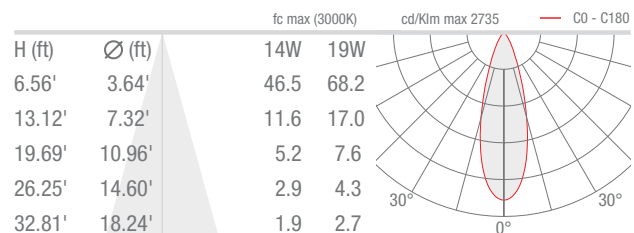
### T – 12° CRI 80



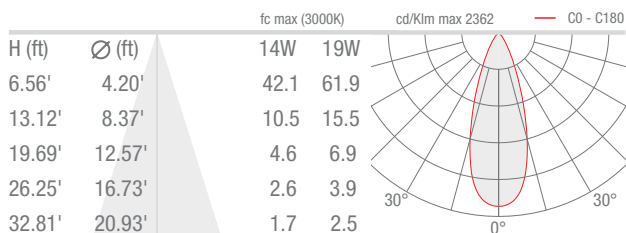
### S – 18° CRI 80



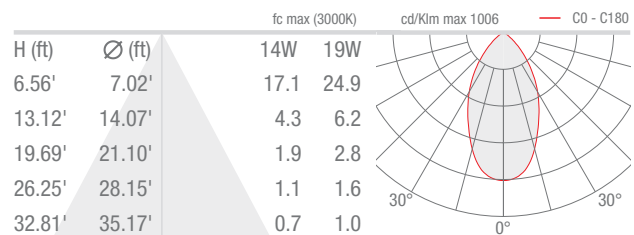
### M – 31° CRI 80



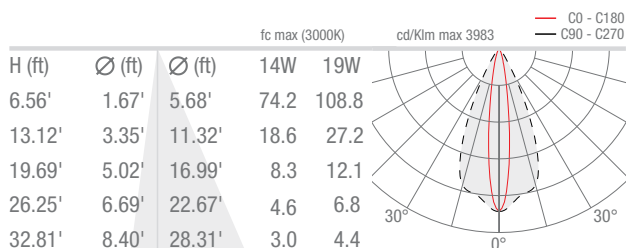
### L – 35° CRI 80



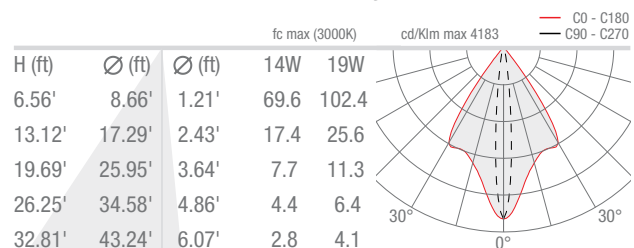
### K – 56° CRI 80



### W – 15°x47° CRI 80



### X – 67°x11° CRI 80 Adjustable



Job Name/Date:

Fixture Type Designation: