

BRIGHT 5.H

The Bright 5.H is a small, powerful RGBW outdoor recessed fixture. It is available with 3 optics options and can be installed on ceilings, walls or floors. Drive-over rated up to 8,800 lbs with an IP69K protection rating. Not suitable for swimming pools or fountains.

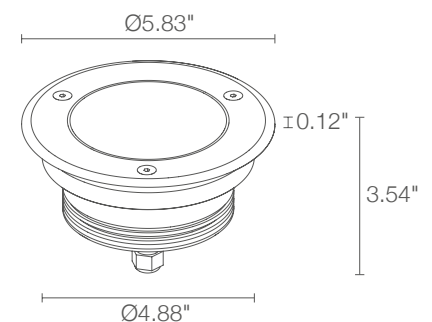
TECHNICAL DATA

Wattage / Input	20W (24VDC)
Power Supply	Remote, not included. See page 2.
Construction	Body: Black-Anodized Anticorodal Aluminum Trim: AISI 316L Stainless Steel Lens: Tempered Extra-Clear Glass with Diffuse Optics Cable Length: 4.92' (standard)
CCT	RGBW
CRI	>80, >90 (4000K)
Delivered Lumens	656 lm: (R) 101 lm, (G) 204 lm, (B) 75 lm, (W) 276 lm (4000K, 20°)
Efficacy	32.8 lm/W
Optics	20°, 34°, 61°
Finishes	Stainless Steel
Fixture Dimensions	Ø5.83" x 3.54" h
Cut-out Size	Ø4.92" (for ceiling or wall installations)
Fixture Weight	2.98 lbs lbs (with 4.92' standard cable)
LED Source	3 Power RGBW LED Groups
Lumen Maintenance	L85, B10 >50,000hrs (Ta 25°C)
Operating Temp.	-4°F to +113°F
IP Rating	IP65, IP68, IP69K
IK Rating	IK10



Cutout Dimensions for ceiling/wall installations with fixing spring = Ø4.92"

Fixture Dimensions



ORDERING INFORMATION

Example: CB5H00000070SI or CB5H00000070SI-0. Accessories / Power Supplies ordered separately.

CB5H00000070		I	-	
Model No.	Optics	Finish	Cable Length	
CB5H00000070	S - 20° M - 34° L - 61°	I - Stainless Steel	4.92' standard 1 - 16.40'	

Job Name/Date:

Fixture Type Designation:

SUGGESTED POWER SUPPLIES

24VDC - RGB

Part Number	Description	Input/Output	# of Fixtures
PPLT00288	DMX / RDM (Field Addressable) / Dali	120-277VAC to 24VDC, 100W, Class 2	1-4

For other power supply options consult factory.

ACCESSORIES

Installation



WC0501
Outer Casing
For in-grade use



WC0601
Outer Casing
For in-grade use



WC0701
Outer Casing
For in-grade use



WG0200
Fixing Spring
For ceiling/wall use

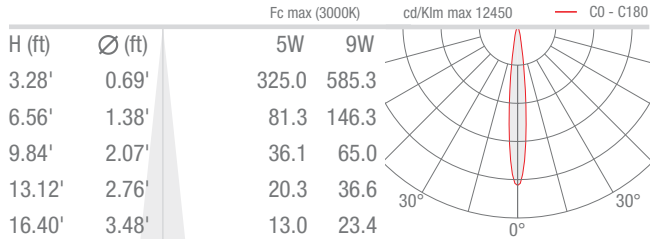
Job Name/Date:

Fixture Type Designation:

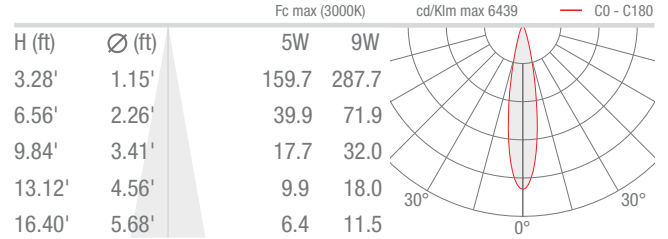
PHOTOMETRIC DATA

Note all Photometry is 3000K

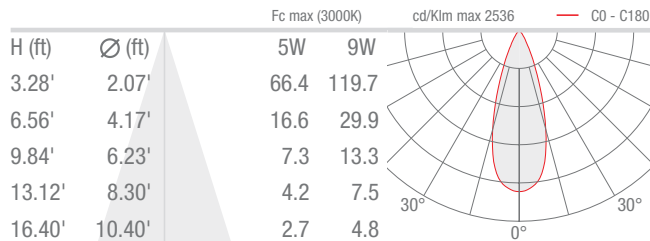
S – 12° CRI 80



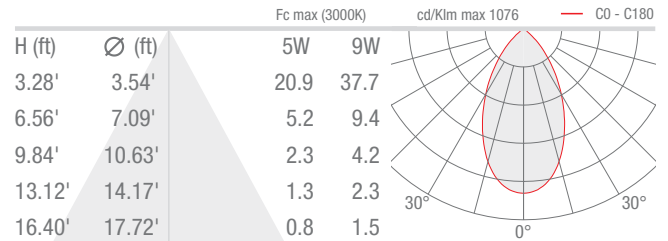
M – 20° CRI 80



L – 35° CRI 80



K – 57° CRI 80



Job Name/Date:

Fixture Type Designation: