

## BUTTON 1 IP20

INDOOR

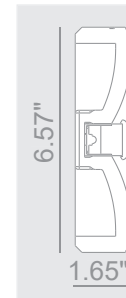
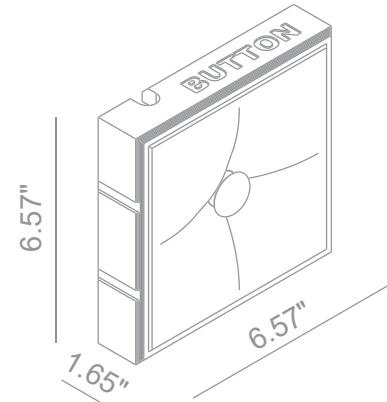
Fix (not adjustable) 0° - 0°

6.89" x 6.89"

Material : CALCYT® plaster

**DESIGN PLUS**

powered by: **light+building**

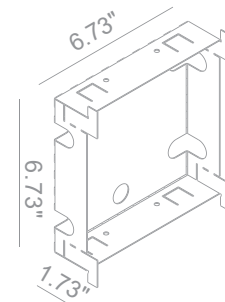


Ready for installation in solid walls  
Optional plasterkit for installation into outer casing

### PLASTERKIT BUTTON 1

REF N° 748 01 000 For mounting into outer casing

Housing: perforated aluminum



### BUTTON 1 LED 100 LM DIM

REF N° 148 60 500 CRI 80 warm white 2200°K

REF N° 148 60 000 CRI 90 warm white 2700°K

REF N° 148 60 100 CRI 90 warm white 3000°K

REF N° 148 60 200 CRI 90 neutral white 4000°K

REF N° 148 60 300 royal blue

1W - excl. LED driver - current controlled 350mA -  $\text{C}$  -  $\text{E}$  -  $\text{P}$  -  $\text{eco}$  - serial wiring 3 SDCM - 3 Step MacAdam  
Requires remote LED driver current controlled 350mA

### BUTTON 1 LED 200 LM DIM

REF N° 148 62 500 CRI 80 warm white 2200°K

REF N° 148 62 000 CRI 90 warm white 2700°K

REF N° 148 62 100 CRI 90 warm white 3000°K

REF N° 148 62 200 CRI 90 neutral white 4000°K

REF N° 148 62 300 royal blue

2W - excl. LED driver - current controlled 350mA -  $\text{C}$  -  $\text{E}$  -  $\text{P}$  -  $\text{eco}$  - serial wiring 3 SDCM - 3 Step MacAdam  
Requires remote LED driver current controlled 350mA

designplan™ 

79 Trenton Avenue  
Frenchtown, NJ 08825

Tel: (908) 996-7710  
Fax: (908) 996-7042

