

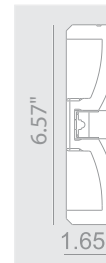
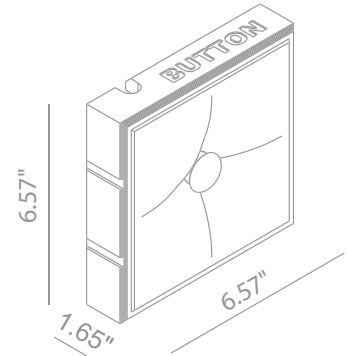
# BUTTON 1 IP20

Button 1 IP20 is an indoor recessed wall mounted luminaire made of Calcyt® plaster with a faux tufted button appearance. It is available in 5 color temperatures and creates a 360° recessed light when on, and when off, the Button continues to surprise with its unique structure and shadow lines.



ADA Compliant

Ceiling Cut-Out: 6.77" x 6.77"  
Fixture Dimensions



## TECHNICAL DATA

<b>Wattage / Input</b>	1W, 2W (350mA)
<b>Power Supply</b>	Remote, not included. See page 2.
<b>Construction</b>	Body: Calcyt® plaster
<b>CCT</b>	2200K, 2700K, 3000K, 4000K, Royal Blue
<b>CRI</b>	>90 and >80
<b>Optics</b>	Fixed
<b>Finishes</b>	Paintable Plaster
<b>Fixture Dimensions</b>	6.57" l x 1.65" w x 6.57" h
<b>Cut-out Dimension</b>	6.89" x 6.89"
<b>Color Consistency</b>	3-Step MacAdam
<b>IP Rating</b>	IP20

## ORDERING INFORMATION

Example: 148 60 000. Accessories / Power Supplies ordered separately.

--

Model No.	Description
148 60 500 - 2200K	1W, 100 lm, CRI 80, IP20
148 60 000 - 2700K	1W, 100 lm, CRI 90, IP20
148 60 100 - 3000K	1W, 100 lm, CRI 90, IP20
148 60 200 - 4000K	1W, 100 lm, CRI 90, IP20
148 60 300 - Royal Blue	1W, 100 lm
148 62 500 - 2200K	2W, 100 lm, CRI 80, IP20
148 62 000 - 2700K	2W, 100 lm, CRI 90, IP20
148 62 100 - 3000K	2W, 100 lm, CRI 90, IP20
148 62 200 - 4000K	2W, 100 lm, CRI 90, IP20
148 62 300 - Royal Blue	2W, 100 lm

Job Name/Date:

Fixture Type Designation:

## SUGGESTED POWER SUPPLIES

350mA

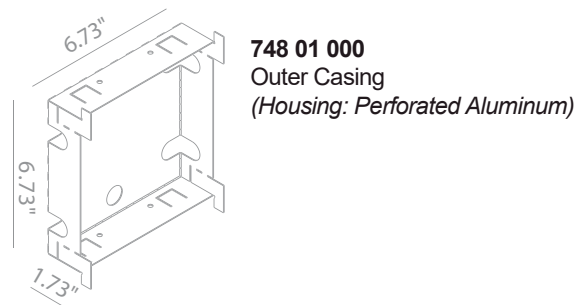
Part Number	Description	Input/Output	# of Fixtures	
			1W	2W
<a href="#">PPLT00139</a>	0-10V Dimming to 10%	120-277VAC to 350mA, 12W, Class 2	7-10	4-5
<a href="#">PPLT00468</a>	Phase Dim (120V only)	120VAC to 350mA, 14W, Class 2	4-12	3-5
<a href="#">PPLT00465-P</a>	0-10V Dimming to 1.0%	120-277VAC to 350mA, 20W, Class 2, DAMP	1-16	1-8
<a href="#">PPLT00263</a>	Leading / Trailing Edge Dimming to 10% (120V only)	120-277VAC to 350mA, 32W, Class 2	8-14	5-6
<a href="#">PPLT00309-P</a>	0-10V Dimming to 0.1%	120-277VAC to 350mA, 50W, Class 2, DAMP	1-50	1-8
<a href="#">PPLT00538-P</a>	0-10V Dimming to 0.1% (4 channels)	120-277VAC to 350mA, 100W, Class 2	1-17 (1-68)	1-8 (1-32)

## Suggested Lutron Compatible

Part Number	Option	Lutron SKU	Dim Range	Description	Input/Output	# of Fixtures	
						1W	2W
<a href="#">PPLT00252</a>	LTEA2W	LTEA	100%-1%	Hi-Lume™ 1% 2-Wire LED Driver (120V forward phase only)	120VAC to 350mA, 7W, Class 2	4-5	2-2
<a href="#">PPLT00247</a>	L3DAE / L3DA3W	L3DA	100%-1%	Hi-Lume™ 1% EcoSystem™ or 1% 3-Wire LED Driver	120-277VAC to 350mA, 7W, Class 2	4-5	2-2
<a href="#">PPLT00271</a>	LTEA2W	LTEA	100%-1%	Hi-Lume™ 1% 2-Wire LED Driver (120V forward phase only)	120VAC to 350mA, 13W, Class 2	6-11	4-5
<a href="#">PPLT00516</a>	L3DAE / L3DA3W	L3DA	100%-1%	Hi-Lume™ 1% EcoSystem™ or 1% 3-Wire LED Driver	120-277VAC to 350mA, 13W, Class 2	6-11	4-5
<a href="#">PPLT00179</a>	L3DAE / L3DA3W	L3DA	100%-1%	Hi-Lume™ 1% EcoSystem™ or 1% 3-Wire LED Driver	120-277VAC to 350mA, 19W, Class 2	12-16	7-8
<a href="#">PPLT00220</a>	LTEA2W	LTEA	100%-1%	Hi-Lume™ 1% 2-Wire LED Driver (120V forward phase only)	120VAC to 350mA, 19W, Class 2	12-16	7-8

For other power supply options consult factory.

## ACCESSORIES - Installation



Job Name/Date:

Fixture Type Designation: