

BUTTON 2 x 2 IP20

INDOOR

Fix (not adjustable) 0° - 0°

15.91" x 15.91"

Material : CALCYT® plaster

DESIGN PLUS

powered by: **light+building**

BUTTON 2 x 2 LED DIM

REF N° 160 60 500 CRI 80 warm white 2200°K

REF N° 160 60 000 CRI 90 warm white 2700°K

REF N° 160 60 100 CRI 90 warm white 3000°K

REF N° 160 60 200 CRI 90 neutral white 4000°K

REF N° 160 60 300 royal blue

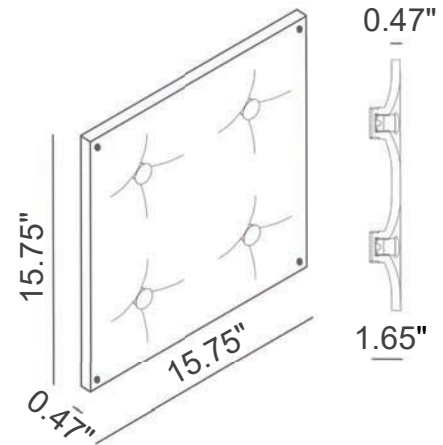
4x1W - excl. LED driver - current controlled 350mA - \downarrow 0.2m - E - P -

eco - serial wiring 3 SDCM -

3 Step MacAdam

Requires remote LED driver

current controlled 350mA



Button 2x2 : ready to fix to metal or wood studs.

No plasterkit required

designplan™ 

79 Trenton Avenue
Frenchtown, NJ 08825

Tel: (908) 996-7710
Fax: (908) 996-7042

