

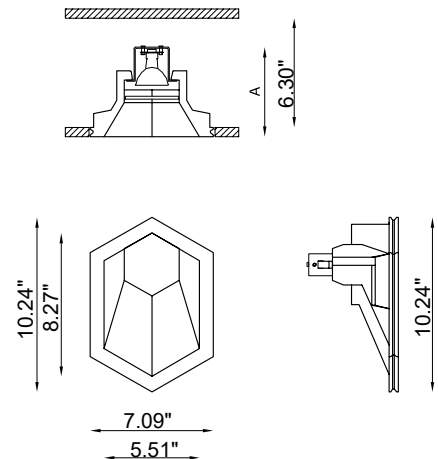
Buzzz is a totally disappearing indoor hexagonal recessed luminaire made of AirCoral® suitable for installation on plasterboard or brick ceilings. It has a 70° assymmetric light beam inclination with a 40° optic.



## TECHNICAL DATA

<b>Wattage / Input</b>	10W (500mA)
<b>Power Supply</b>	Remote, not included. See page 2.
<b>Construction</b>	Body: AirCoral® Lens: Frosted Glass
<b>CCT</b>	3000K (2700K, 4000K on request)
<b>CRI</b>	>90
<b>Delivered Lumens</b>	1050 lm (3000K)
<b>Efficacy</b>	105 lm/W
<b>Optics</b>	40°
<b>Finishes</b>	Unfinished AirCoral® - suitable for painting
<b>LED Source</b>	Professional COB LED
<b>Fixture Dimensions</b>	7.09" w x 10.24" l x 5.51" h
<b>Aperature</b>	8.27" x 5.51"
<b>Fixture Weight</b>	1.98 lbs
<b>IP Rating</b>	IP40

Fixture Dimensions



The body is made of Aircoral® a unique patented composite material that actually purifies the air. It can be calculated how many cubic feet each fixture will purify. See website for Aircoral® calculator.

Additionally, Aircoral® is:

- Antibacterial.
- Antifungal.
- Scratch-resistant.
- Dust-resistant.
- Suitable for painting.
- LEED recognized material.

## ORDERING INFORMATION

Example: BU6157.Z.AC.US. Power Supplies ordered separately.

<b>BU6157.Z</b>	<b>AC</b>	<b>US</b>
<b>Model No.</b>	<b>Finish</b>	
<b>BU6157.Z</b>	<b>AC - AirCoral®</b>	<b>US</b>

Job Name/Date:

Fixture Type Designation:

## SUGGESTED POWER SUPPLIES

500mA

Part Number	Description	Input/Output	# of Fixtures
<a href="#">PPLT00187</a>	0-10V Dimming to 10%	120-277VAC to 500mA, 10W, Class 2	1-1
<a href="#">PPLT00469</a>	Phase Dim (120V only)	120VAC to 500mA, 14W, Class 2	1-1
<a href="#">PPLT00467-P</a>	0-10V Dimming to 1%	120-277VAC to 500mA, 50W, Class 2	1-2
<a href="#">PPLT00538-P</a>	0-10V Dimming to 0.1%	120-277VAC to 500mA, 100W, Class 2	1-8

## Suggested Lutron Compatible

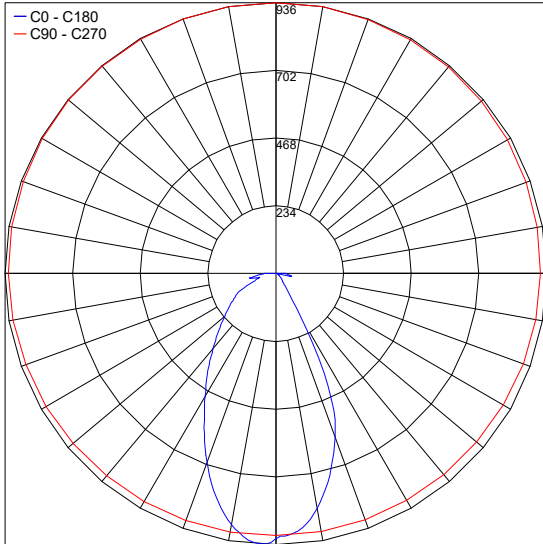
Part Number	Option	Lutron SKU	Dim Range	Description	Input/Output	# of Fixtures
<a href="#">PPLT00249</a>	LTEA2W	LTEA	100%-1%	Hi-Lume™ 1% 2-Wire LED Driver (120V forward phase only)	120VAC to 500mA, 10W, Class 2	1-1
<a href="#">PPLT00259</a>	L3DAE / L3DA3W	L3DA	100%-1%	Hi-Lume™ 1% EcoSystem™ or 1% 3-Wire LED Driver	120-277VAC to 500mA, 10W, Class 2	1-1
<a href="#">PPLT00195</a>	L3DAE / L3DA3W	L3DA	100%-1%	Hi-Lume™ 1% EcoSystem™ or 1% 3-Wire LED Driver	120-277VAC to 500mA, 19W, Class 2	1-1
<a href="#">PPLT00180</a>	L3DAE / L3DA3W	L3DA	100%-1%	Hi-Lume™ 1% EcoSystem™ or 1% 3-Wire LED Driver	120-277VAC to 500mA, 27W, Class 2	2-2
<a href="#">PPLT00250</a>	LTEA2W	LTEA	100%-1%	Hi-Lume™ 1% 2-Wire LED Driver (120V forward phase only)	120VAC to 500mA, 27W, Class 2	2-2

For other power supply options consult factory.

## PHOTOMETRIC DATA

Note all Photometry is 3000K

Maximum Candela = 936



Job Name/Date:

Fixture Type Designation: