



## LED spotlight C1-mini-C Casambi Control

### description:

LED spotlight for installation on magnetic track,  
360° rotatable, 90° swivelling

### housing color:

aluminum anodised black, silver, gold  
(other surface finishing on request)

### optics:

8°, 15°, 18°, 26°, 30°, 45°, 80°, 47°+25°, 40°+10°

### light color (+/- 100K):

2700K, 3000K, 3500K, 4000K, 5700K

high power LED, high CRI DIN EN 55015:2013,  
lifetime 50,000 hours | basis of lifetime L80B10

protection class: IP 20, protection class III, CE,  
ETSI EN 300 328 V2.2.2

max. luminous flux (3000 K | standard lens 30°):  
160 lm at 2.5W (64 lm/W)

power input: 9 - 24VDC

### remote driver required:

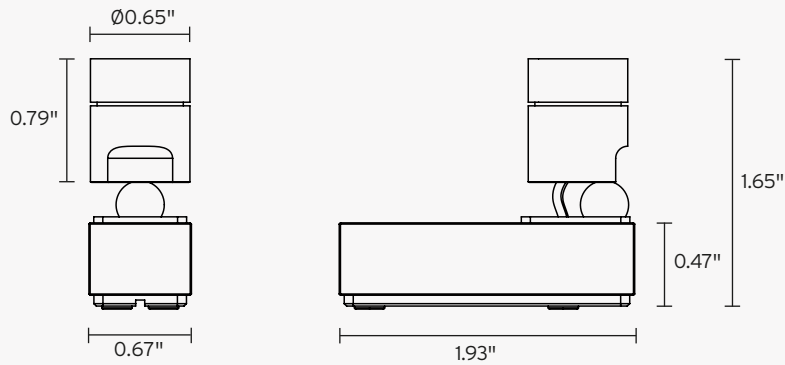
See datasheet for 12VDC constant voltage

dimming: via Casambi-App

accessory: magnetic track

optional accessory: magnetic track holders,  
honeycomb grid, anti-glare tube, inclined tube,  
snoot (8°), light diffusion foil, barn door,  
zoom optic (9°-33°)

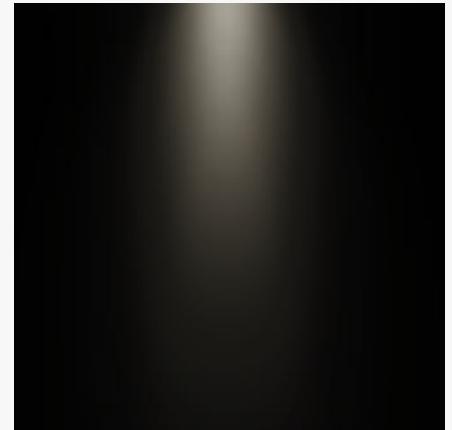
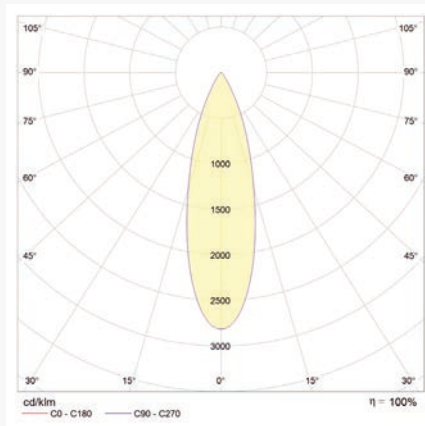
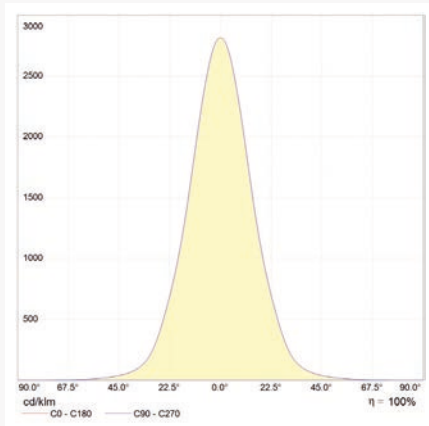
## dimensions



specification in inches

## photometry

for light color 3000 K | standard lens  $30^\circ$  | color rendering index typ. 97, R9 > 90, R12 > 90 | color variation  $\leq 3$  SDCM



## Dimming

The C1-mini-C spotlight is controlled via the Casambi app. The set value is automatically saved and retained even after a power cut. The dimming range has 810 steps (flicker-free) from 100% to 0.4%. The dimming frequency is 19.75 kHz.

The Casambi app can be freely downloaded from the App Store or Google Play. After opening, the app automatically finds all Casambi-operated spotlights.

Tap on *Add All luminaires to ... / My network*. All spotlights are connected into a network and the *Luminaires* menu opens automatically. (To switch on or off - tap the symbol; to dim - swipe horizontally over the symbol)



technical changes reserved | November 2021