



LED spotlight C1-mini-LC-VL

description: LED spotlight for installation on magnetic track, 360° rotatable, 135° swiveling, attachment with mounting flange

housing color:

aluminum anodized black, silver, gold
(other surface finishing on request)

optics:

15°, 18°, 26°, 30°, 45°, 80°, 47°+25°, 40°+10°

light color (+/- 100K):

2700K, 3000K, 3500K, 4000K, 5700K

high power LED, high CRI DIN EN 55015:2013,

lifetime 50,000 hours | basis of lifetime L80B10

protection class: IP20, UL Listed - low voltage LED luminaire

max. luminous flux (3000K | standard lens 30°):
60lm at 1W (60lm/W)

power input: 12VDC constant voltage

allowed LED driver:

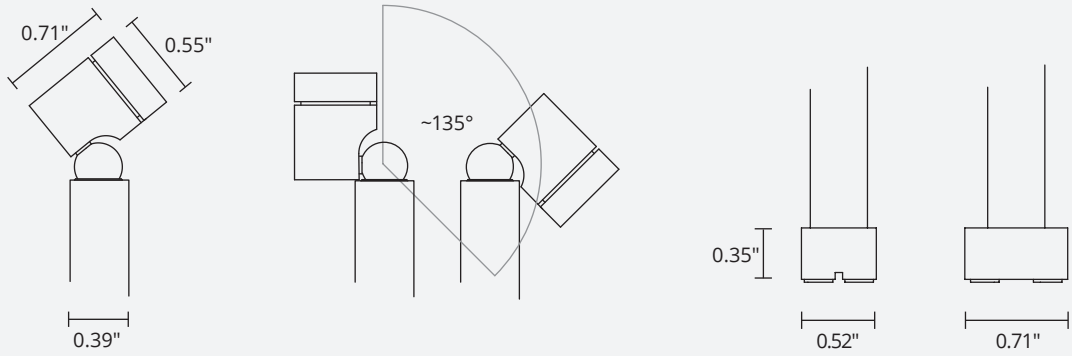
- power supply of PWM series by MeanWell with constant voltage 9 - 12VDC
- power supply of LPF, LPV, NPF or APV series by MeanWell with constant voltage 12VDC, in combination with dimmer by feno (other power supplies on request)

dimming: see drivers

accessory: magnetic track

optional accessory: magnetic track holders, anti-glare tube, honeycomb grid, inclined tube, light diffusion foil, barn door

dimensions

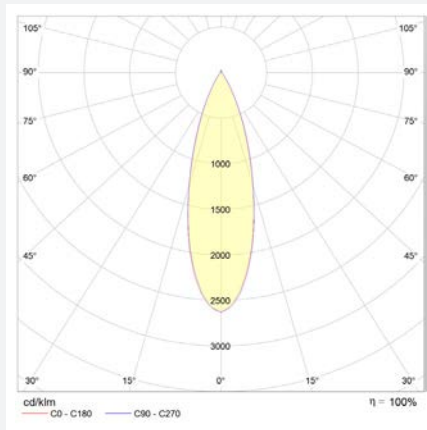
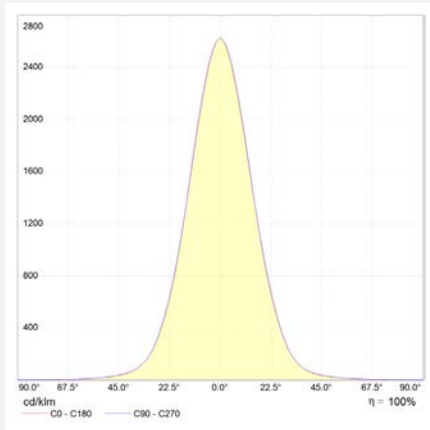


Pole height should not exceed 7.87" (200 mm)

specification in inches

photometry

for light color 3000K | standard lens 30° | color rendering index typ. 97, R9 > 90, R12 > 90 | color variation ≤ 3 SDCM



technical changes reserved | May 2021