



LED spotlight C1-mini-S-VL

description:

LED spotlight for installation in display cases,
360° rotatable, 135° swiveling,
attachment with mounting flange

housing color:

aluminum anodized black, silver, gold
(other surface finishing on request)

optics:

15°, 18°, 26°, 30°, 45°, 80°, 47°+25°, 40°+10°

light color (+/- 100K):

2700K, 3000K, 3500K, 4000K, 5700K

high power LED, high CRI DIN EN 55015:2013,
lifetime 50,000 hours | basis of lifetime L80B10

max. luminous flux (3000K | standard lens 30°):

130 lm at 1.8 W (72 lm/W)

power input: constant current up to max. 600 mA

remote driver required:

see datasheet

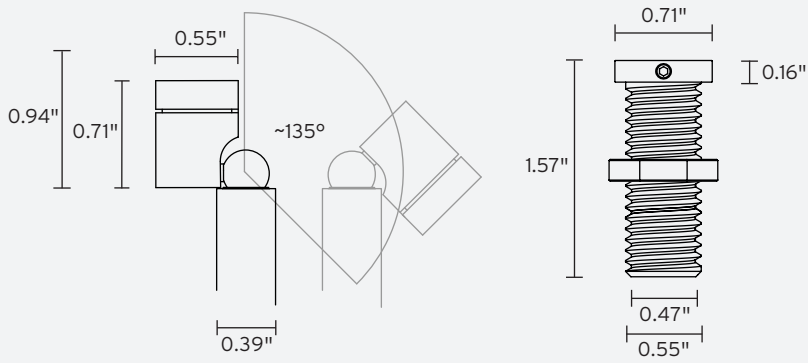
dimming: see drivers

protection class: IP20

optional accessory:

honeycomb grid, anti-glare tube, inclined tube,
light diffusion foil, barn door

dimensions

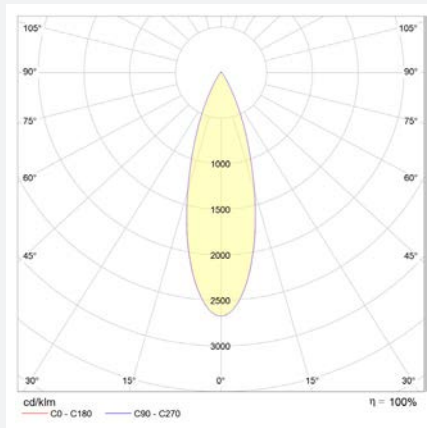
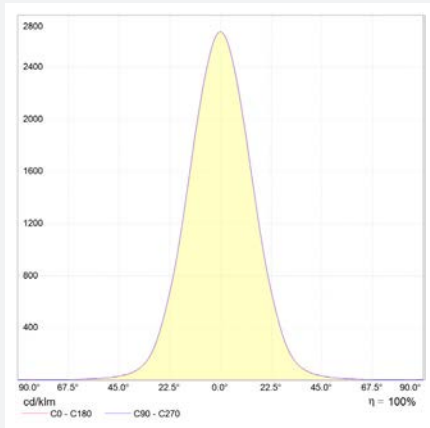


- standard extension max. 17.32" (max. visible length 15.75")
- can be shortened on request
- additional height adjustable via flange
- panel thickness 0.08" - 0.91"
- borehole \varnothing 0.57"

specification in inches

photometry

for light color 3000K | standard lens 30° | color rendering index typ. 97, R9 > 90, R12 > 90 | color variation \leq 3 SDCM



Variation (on request)
with 2 or 3 LED spotlights



technical changes reserved | May 2021