



## LED spotlight C1-mini-UHC

**description:**

LED spotlight for installation on magnetic track  
180° rotatable, 90° swiveling

**housing color:**

aluminum anodized black, silver, gold  
(other surface finishing on request)

**optics:**

8°, 15°, 18°, 26°, 30°, 45°, 80°, 47°+25°, 40°+10°

**light color (+/- 100K):**

2700K, 3000K, 3500K, 4000K, 5700K

**high power LED, high CRI DIN EN 55015:2013,**

lifetime 50,000 hours | basis of lifetime L80B10

**protection class:** IP20, UL Listed - low voltage LED  
luminaire

**max. luminous flux (3000K | standard lens 30°):**

140 lm at 2.3 W (61 lm/W)

**power input:** 12VDC constant voltage

**allowed LED driver:**

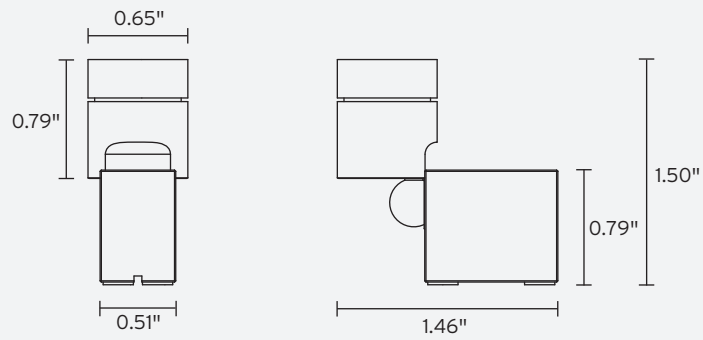
power supply of LPF, LPV, NPF or APV series  
by MeanWell with constant voltage 12VDC, in  
combination with dimmer by feno  
(other power supply on request)

**dimming:** see drivers

**accessory:** magnetic track

**optional accessory:** magnetic track holders,  
honeycomb grid, anti-glare tube, inclined tube, snoot (8°),  
light diffusion foil, barn door, zoom optic (9°-33°)

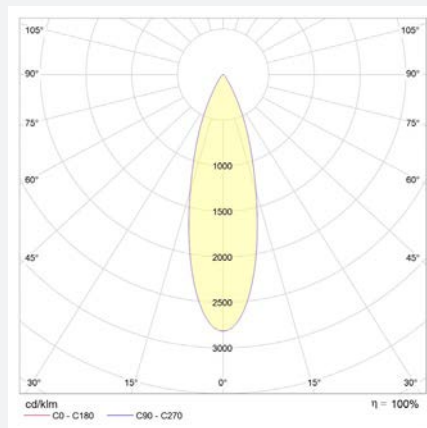
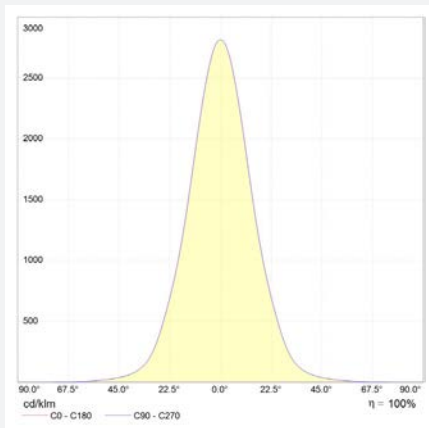
## dimensions



specification in inches

## photometry

for light color 3000K | standard lens 30° | color rendering index typ. 97, R9 > 90, R12 > 90 | color variation ≤ 3 SDCM



technical changes reserved | May 2021