



LED spotlight C1-STS

description:

LED spotlight for installation on magnetic track,
180° rotatable, 90° swiveling

housing color:

aluminum anodized black, silver, gold
(other surface finishing on request)

optics:

10°, 15°, 20°, 35°, 45°, 46°+ 10°

light color (+/- 100K):

2700K, 3000K, 3500K, 4000K, 5700K

high power LED, high CRI DIN EN 55015:2013,
lifetime 50,000 hours | basis of lifetime L80B10

protection class: IP20, UL Listed - low voltage LED
luminaire

max. luminous flux (3000K | standard lens 20°):

110 lm at 2.0 W (55 lm/W)
125 lm at 2.3 W (55 lm/W)

power input: 12VDC constant voltage

allowed LED driver:

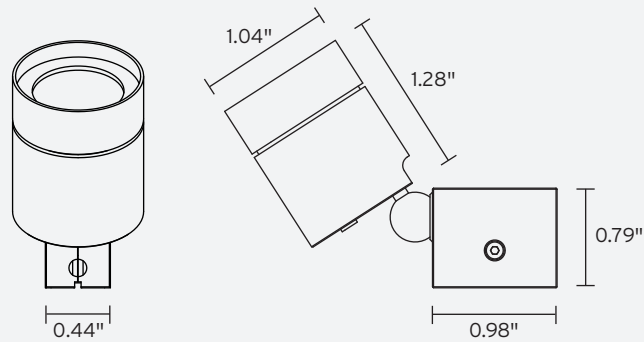
power supply of LPF, LPV, NPF or APV series
by MeanWell with constant voltage 12VDC
(other power supplies on request)

dimming: see drivers

accessory: magnetic track

optional accessory: magnetic track holders,
honeycomb grid, anti-glare tube, inclined tube,
light diffusion foil, barn door,
zoom optic (2° - 25°, 6° - 36°)

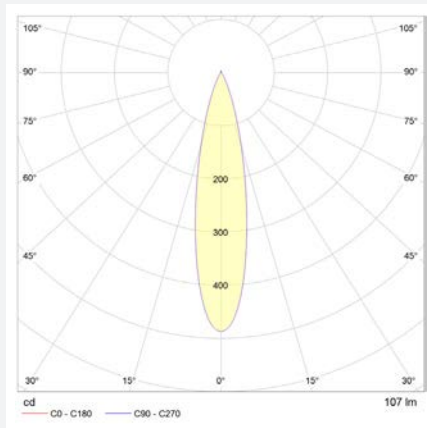
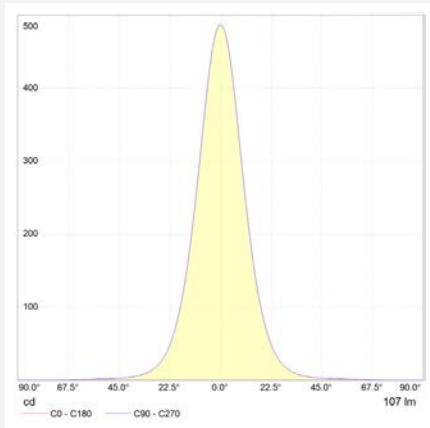
dimensions



specification in inches

photometry

for light color 3000K | standard lens 20° | color rendering index typ. 97, R9 > 90, R12 > 90 | color variation ≤ 3 SDCM



Dimming

The LED spotlight is controlled by a microcontroller and can be dimmed individually using a button (1) on the spotlight head.

Pressing on the dimming button (> 1 sec.) changes the dimming value. Releasing the button stops the dimming process. Pressing it again changes the dimming direction. Your set dimming is automatically saved after approx. 5 - 10 seconds.

The dimming range is flicker-free adjustable from 100% to 10% in 256 steps. The spotlight is set to 100% at initial start-up.



technical changes reserved | May 2021