

CANOU XL IP20

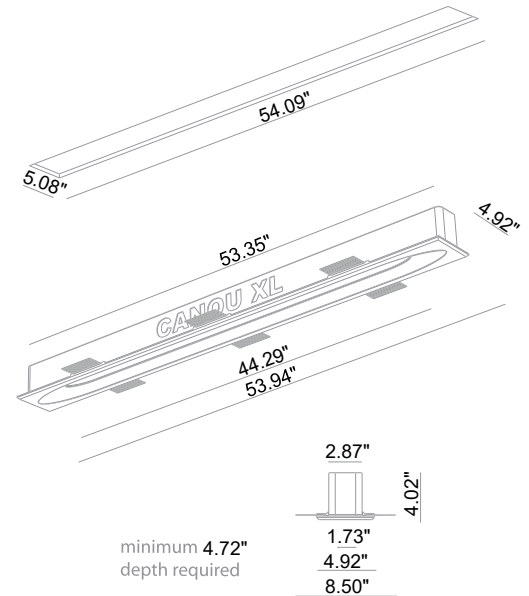
Canou XL IP20 is the longer version of Canou IP20, an indoor recessed linear luminaire that has a smooth and gentle curve that seems to fade into the architecture. The trimless Canou fixtures made of Calcyt® plaster share the same thermal expansion characteristics as regular plaster or plasterboard. This ensures installations that remain free of plaster cracks for the long haul.



Ceiling Cut-Out: 5.08" x 54.09"
Fixture Dimensions

TECHNICAL DATA

Wattage / Input	30.8W (350mA or 120VAC)
Power Supply	Remote or Integral 0-10V
Construction	Body: CALCYT® plaster Lens: Opal Polycarbonate
CCT	2700K, 3000K
CRI	>80
Delivered Lumens	—
Efficacy	—
Optics	Fixed
Finishes	Paintable Plaster
Cut-out Dimension	5.08" w x 54.09" l
Fixture Dimensions	4.92" w x 53.35" l x 4.02" h
Aperature	1.73" x 44.29"
Color Consistency	4-Step MacAdam
IP Rating	IP20



ORDERING INFORMATION

Example: 242 29 000. Power Supplies and Accessories ordered separately.

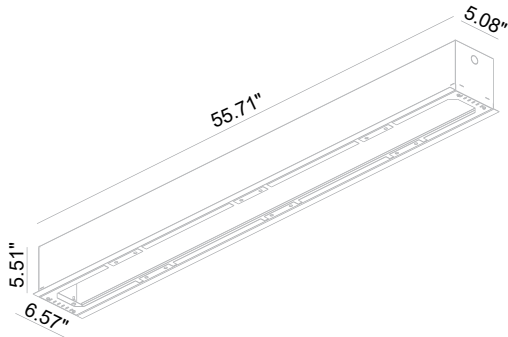
Model No.	Description
242 29 000 - 2700K	30.8W, 4000 LM, Remote (driver sold separately), IP20 Indoor
242 29 100 - 3000K	30.8W, 4000 LM, Remote (driver sold separately), IP20 Indoor
242 66 000 - 2700K	30.8W, 4000 LM, Integral 0-10V Dimming, IP20 Indoor
242 66 100 - 3000K	30.8W, 4000 LM, Integral 0-10V Dimming, IP20 Indoor

Job Name/Date:

Fixture Type Designation:

ACCESSORIES

Installation



Standard (included)

Installation system for ceiling 0.35" - 0.47" - 0.59"

242 99 025

Outer Casing for ceiling 0.98"

242 99 030

Outer Casing for ceiling 1.18"

242 00 001

Prisma cover Canou XL

SUGGESTED POWER SUPPLIES

Contact factory for Remote Power Supplies

Job Name/Date:

Fixture Type Designation: