

# Irresistable Strength.

car-go

design by Landa R&D

designplan<sup>TM</sup> 

79 Trenton Avenue  
Frenchtown, NJ 08825

[www.designplan.com](http://www.designplan.com)

Tel: (908) 996-7710  
Fax: (908) 996-7042



# car-go 50

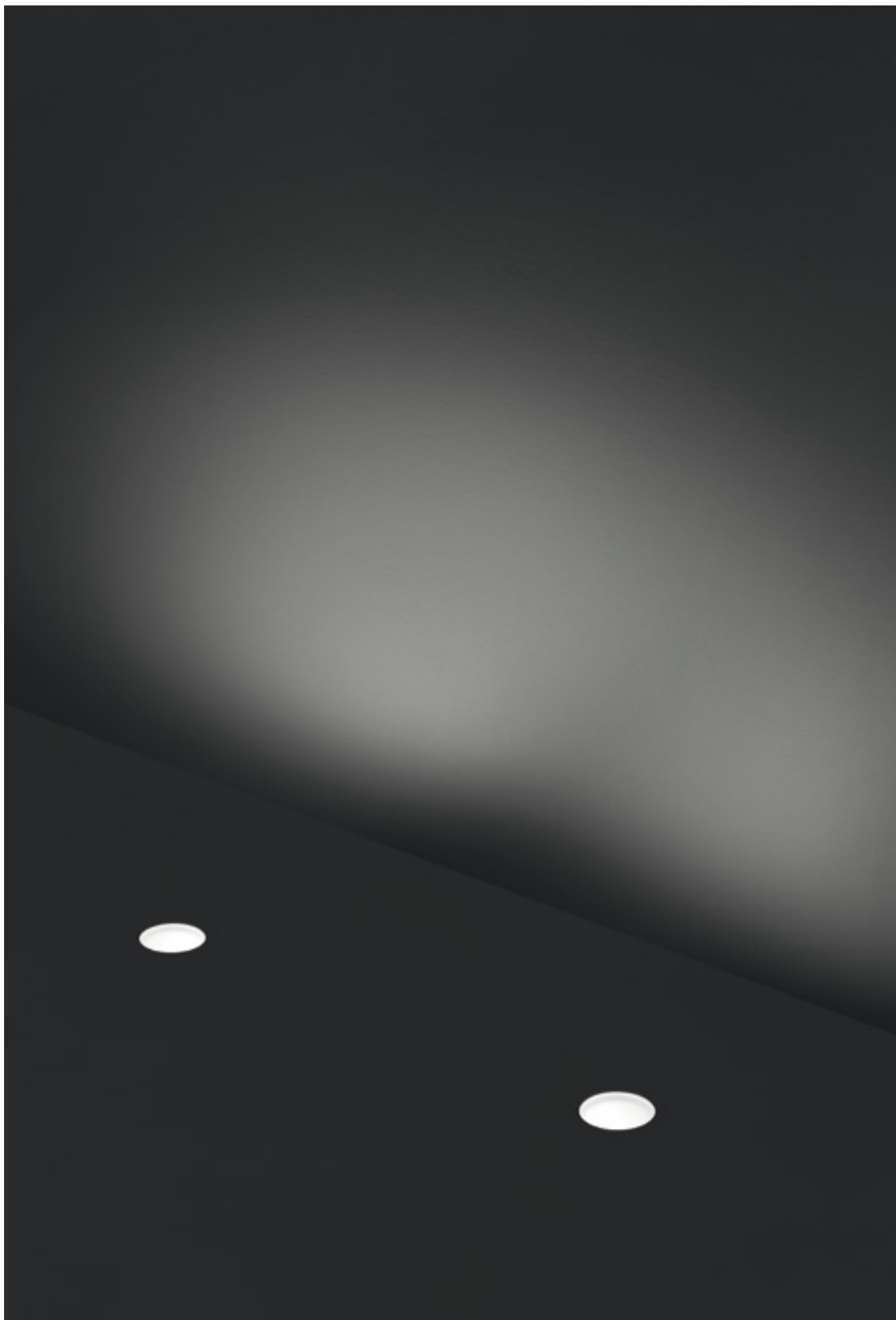
Recessed into the floor and/or designed driveways with extreme precision for a correct lighting of outdoor paths. Designed to last for a long time, Car-Go 50 has a diameter of 1.97" and is fitted with LED module with power of 3W, diffused lighting emission, with opal tempered glass.

Available in 3000 K color temperature and with other color temperatures and color change version on request.

Efficient lighting, a technological top of the range luminaire with excellent performances, installable using a 30% glass fiber reinforced Nylon recessed box, with an installation depth of 3.74".



max 12.4 mph  
max 4400 lbs



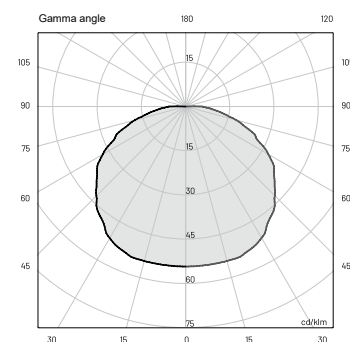
# car-go 50

| 3W

DIFFUSE

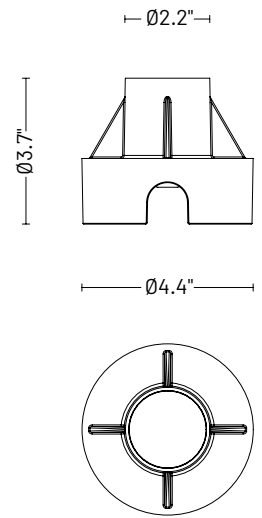
## TECHNICAL SPECIFICATIONS

	<b>DIFFUSE</b>
Source lamp	LED 3W
Total wattage	3W
Voltage	24VDC
Control	Power supply not included
Light color	3000 K • other colors on request
Delivered lumens *Source lumens	70 lm (350 lm*)
Luminous efficacy	24 lm/W
McADAM steps	3
Beam	diffuse
CRI	> 90
Lifetime	L70 > 50.000 h Ta 40°C
IP rating	IP67
IK rating	IK10
Drive over	4400 lbs • 12.4 mph



### E (FC)

H (ft)	fc (3000 K)	Ø (ft)
3.28'	1.8	13.98'
6.56'	0.5	27.95'
9.84'	0.2	41.90'
13.12'	0.1	55.87'
16.40'	0.1	69.85'



## MATERIALS

<i>Body</i>	Extruded aluminum EN AW6026
<i>Diffuser</i>	Opal glass
<i>Finishing</i>	Glass

## ORDER CODE

CG 3 0 IPT DH B 7 Z U

## INCLUDED ACCESSORIES

<i>Code</i>	<i>Description</i>
-	1 m (3.28') length cable -05RN-F
-	Housing box

## AVAILABLE ACCESSORIES

<i>Code</i>	<i>Description</i>
00KCG.01	Recessed box adjusting kit
0303003	Glass lifting suction pad
0404M011	Single connection IP68
0404M019	Three-way connection box mini



# car-go 80

Circular shape with diameter of 3.15" and high luminous efficiency available with 3000K color temperature (other color temperatures and color change version on request) for Car-go 80, recessed driveway / floor luminaire extremely resistant to mechanical stress. The aluminum body is CNC machined, and can be installed using a 30% glass fiber reinforced Nylon recessed box, with 3.74" installation depth. Car-go 80 has a power of 5W, diffused light emission, with opal tempered glass.



max 12.4 mph  
max 4400 lbs





# car-go 80

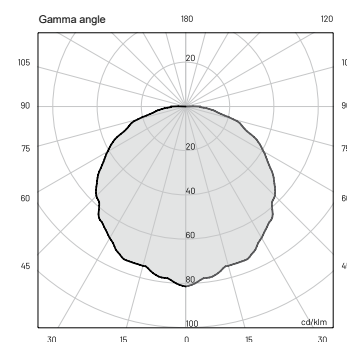
| 5W

DIFFUSE

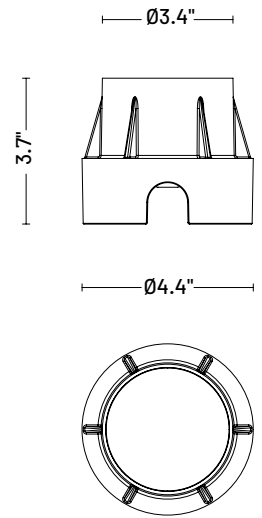


## TECHNICAL SPECIFICATIONS

	DIFFUSE
Source lamp	LED 5W
Total wattage	5W
Voltage	24VDC
Control	Power supply not included
Light color	3000 K • other colors on request
Delivered lumens *Source lumens	155 lm (590 lm*)
Luminous efficacy	31 lm/W
McADAM steps	3
Beam	diffuse
CRI	> 90
Lifetime	L70 > 50.000 h Ta 40°C
IP rating	IP67
IK rating	IK10
Drive over	4400 lbs • 12.4 mph



E (FC)		
H (ft)	fc (3000 K)	Ø (ft)
3.28'	4.5	11.35'
6.56'	1.1	22.74'
9.84'	0.5	34.09'
13.12'	0.3	45.47'
16.40'	0.2	56.82'



## MATERIALS

<i>Body</i>	Extruded aluminum EN AW6026
<i>Diffuser</i>	Opal glass
<i>Finishing</i>	Glass

## ORDER CODE

CG50IPTDHB7ZU

## INCLUDED ACCESSORIES

<i>Code</i>	<i>Description</i>
-	1 m (3.28') length cable -05RN-F
-	Housing box

## AVAILABLE ACCESSORIES

<i>Code</i>	<i>Description</i>
00KCG.01	Recessed box adjusting kit
0303003	Glass lifting suction pad
0404M011	Single connection IP68
0404M019	Three-way connection box mini



# car-go 125

Diameter of 4.92" with 3.74" recessed depth for Car-go 125.

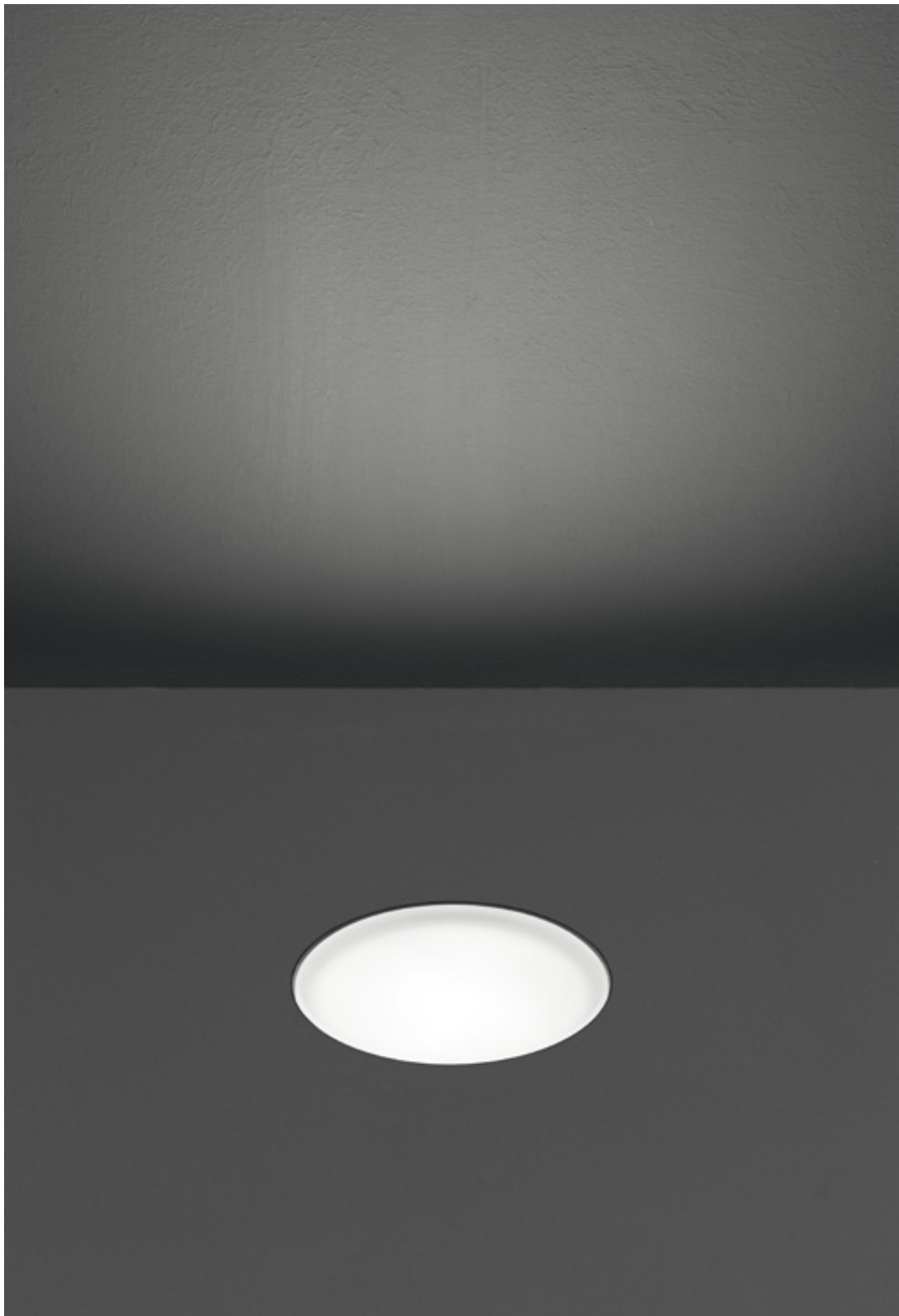
Driveway, and extremely resistant to stresses and atmospheric agents thanks to the finish obtained through polyester powder-coated finish, giving a high level of resistance to external mechanical impacts.

Available in 3000 K color temperature version and other color temperatures and color change version on request.

Power of 8W and diffused light emission, for a luminaire with very high performances.



max 12.4 mph  
max 4400 lbs



# car-go 125

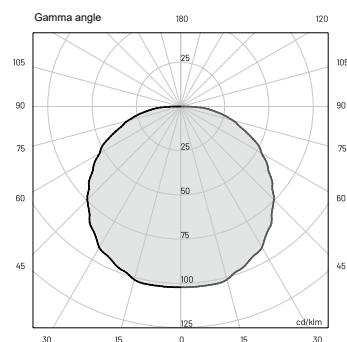
| 8W

DIFFUSE



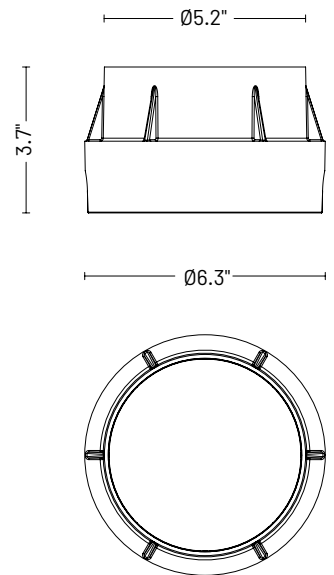
## TECHNICAL SPECIFICATIONS

	<b>DIFFUSE</b>
Source lamp	LED 8W
Total wattage	8W
Voltage	24VDC
Control	Power supply not included
Light color	3000 K • other colors on request
Delivered lumens *Source lumens	320 lm (940 lm*)
Luminous efficacy	40 lm/W
McADAM steps	3
Beam	diffuse
CRI	> 90
Life time	L70 > 50.000 h Ta 40°C
IP rating	IP67
IK rating	IK10
Drive over	4400 lbs • 12.4 mph



### E (FC)

H (ft)	fc (3000 K)	Ø (ft)
3.28'	8.9	12.34'
6.56'	2.2	24.67'
9.84'	1.0	37.01'
13.12'	0.6	49.38'
16.40'	0.4	61.71'



## MATERIALS

<i>Body</i>	Extruded aluminum EN AW6026
<i>Diffuser</i>	Opal glass
<i>Finishing</i>	Glass

## ORDER CODE

CG 60 IPT DH B 7 Z U

## INCLUDED ACCESSORIES

<i>Code</i>	<i>Description</i>
-	1 m (3.28') length cable -05RN-F
-	Housing box

## AVAILABLE ACCESSORIES

<i>Code</i>	<i>Description</i>
00KCG.02	Recessed box adjusting kit
0303004	Glass lifting suction pad
0404M011	Single connection IP68
0404M019	Three-way connection box mini













# car-go 200

Car-Go 200, for recessed floor driveway applications, is an extremely safe and long-lasting product. Practically indestructible, it is the ideal choice for public and private application contexts.

The luminaire with a circular shape and diameter of 7.87", has a power of 12W, tempered opal glass and diffused optics.

Available in 3000 K color temperature version and other color temperatures and color change version on request.

Car-go 200 can be installed using a recessed box in 30% glass fiber reinforced Nylon, with maximum installation depth of up to 3.74".



max 12.4 mph  
max 4400 lbs



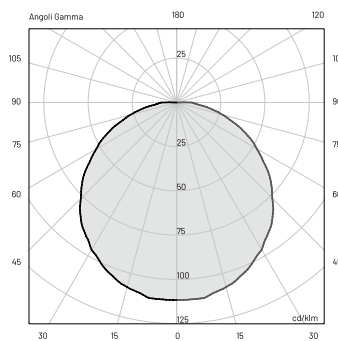
# car-go 200 | 12W

DIFFUSE



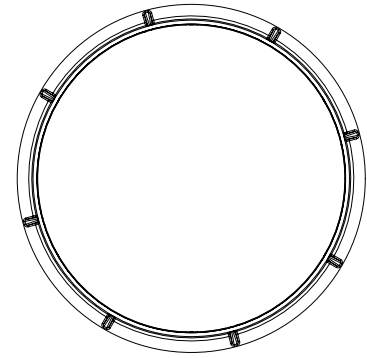
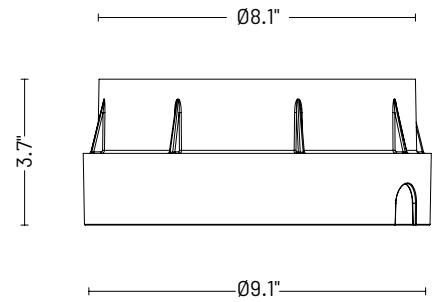
## TECHNICAL SPECIFICATIONS

	<b>DIFFUSE</b>
Source lamp	LED 12W
Total wattage	12W
Voltage	24VDC
Control	Power supply not included
Light color	3000 K • other colors on request
Luminous flux *Source flux	490 lm (1400 lm*)
Luminous efficacy	41 lm/W
McADAM steps	3
Beam	diffuse
CRI	> 90
Lifetime	L70 > 50.000 h Ta 40°C
IP rating	IP67
IK rating	IK10
Drive over	4400 lbs • 12.4 mph



### E (LUX)

H (ft)	lux (3000 K)	Ø (ft)
3.28'	14.5	10.50'
6.56'	3.6	21.00'
9.84'	1.6	31.50'
13.12'	0.9	41.99'
16.40'	0.6	52.49'



## MATERIALS

<i>Body</i>	Extruded aluminum EN AW6026
<i>Diffuser</i>	Opal glass
<i>Finishing</i>	Glass

## ORDER CODE

CG 8 0 IPT D H B 7 Z U

## INCLUDED ACCESSORIES

<i>Code</i>	<i>Description</i>
-	1 m (3.28') length cable -05RN-F
-	Housing box

## AVAILABLE ACCESSORIES

<i>Code</i>	<i>Description</i>
00KCG.03	Recessed box adjusting kit
0303004	Glass lifting suction pad
0404M011	Single connection IP68
0404M019	Three-way connection box mini

