

CIAK 1.6
3000K, 2.5W, 52°, black



designplanTM 

79 Trenton Avenue
Frenchtown, NJ 08825

www.designplan.com

Tel: (908) 996-7710
Fax: (908) 996-7042

CIAK

INDOOR RECESSED



CIAK 1.0

Ø2.17"
1.5W 500mA

CIAK 1.6

Ø2.17"
2.5W 24VDC



CIAK 1.1

Ø2.17"
1.5W 500mA

CIAK 1.7

Ø2.17"
2.5W 24VDC



CIAK 2.6

Ø2.76"
5W 24VDC



CIAK 2.7

Ø2.76"
5W 24VDC

CIAK

UNIQUE SELLING POINTS

BUILT-IN
PROTECTION
SYSTEMS:



EPS
ELECTRICAL
PROTECTION
SYSTEM



ON REQUEST:
RAL FINISH

CRI 90

THE ENTIRE CIAK FAMILY
USES LIGHT SOURCES
WITH A HIGH COLOR
RENDERING INDEX

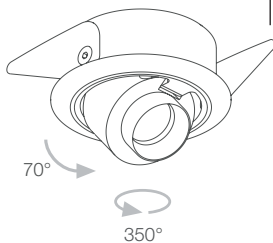


THE LIGHT BEAM CAN BE
PRECISELY DIRECTED
THANKS TO THE HIGH
ADJUSTABILITY OF THE
OPTICAL UNIT:

- ROTATABLE UP TO 350°
ON VERTICAL AXIS
- TILTABLE UP TO 70°
ON HORIZONTAL AXIS



ALL VERSIONS
ARE AVAILABLE
WITH OR WITHOUT
AN ANTI-GLARE
SNOOT FOR
GREATER VISUAL
COMFORT



LOW THICKNESSES:

CIAK'S COMPACT HEIGHT – 0.87" (CIAK 1) AND 1.18" (CIAK 2) – MEANS IT CAN BE RECESSED INTO SHALLOW SHELVES SUCH AS THOSE IN SHOP WINDOWS AND DISPLAY CABINETS, IN CONFORMITY WITH HEAT-TRANSFER VOLUMES

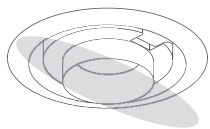


CIAK HAS SHARP OPTICS TO PRODUCE A LIGHT BEAM WITH PIN-SHARP EDGES

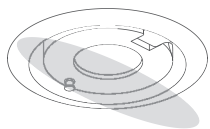
CIAK 1



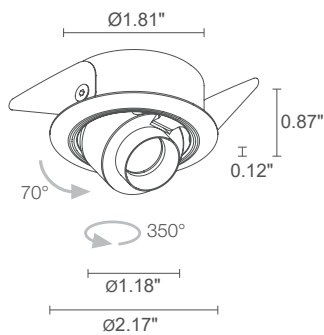
CIAK 1.0



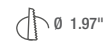
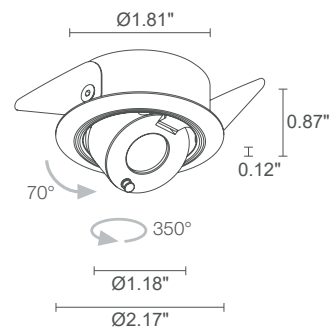
16°x34° optics
(Ciak 1.0 / 1.6)



16°x34° optics
(Ciak 1.1 / 1.7)



CIAK 1.1

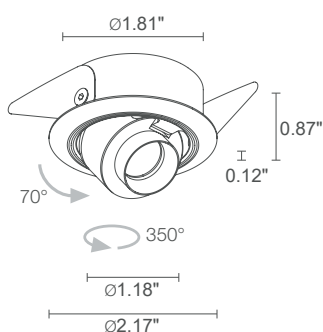


MODEL NO.	1.5W 500mA CK10101 ■ ■ B White CK10101 ■ ■ N Black
LED COLOUR	F - 2700K 5 - 3000K 9 - 4000K
OPTICS	S - 17° M - 29° P - 48° sharp L - 52° W - 16°x34°
LUMEN OUTPUT AT SOURCE	157 lm (3000K, 500mA)
DELIVERED LUMEN OUTPUT	144 lm (3000K, 500mA, 29°)
NO. AND TYPE OF LEDS	1 power LED
MATERIAL	body and trim in aluminum
POWER SUPPLY UNIT	remote power supply required, not included
WIRING	series
MOUNTING	recessed (ceiling, shelf, shop window)
FEATURES	CRI 90

MODEL NO.	1.5W 500mA CK11101 ■ ■ B White CK11101 ■ ■ N Black
LED COLOUR	F - 2700K 5 - 3000K 9 - 4000K
OPTICS	S - 17° M - 29° P - 48° sharp L - 52° W - 16°x34°
LUMEN OUTPUT AT SOURCE	157 lm (3000K, 500mA)
DELIVERED LUMEN OUTPUT	144 lm (3000K, 500mA, 29°)
NO. AND TYPE OF LEDS	1 power LED
MATERIAL	body and trim in aluminum
POWER SUPPLY UNIT	remote power supply required, not included
WIRING	series
MOUNTING	recessed (ceiling, shelf, shop window)
FEATURES	CRI 90



CIAK 1.6

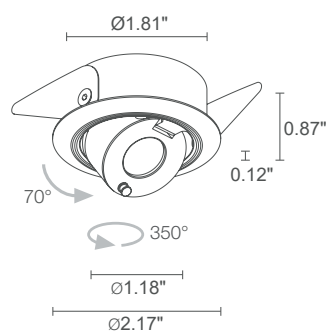


2.5W 24VDC
CK16001 ■ ■ **B** White
CK16001 ■ ■ **N** Black

■	F - 2700K 5 - 3000K 9 - 4000K
■	S - 17° M - 29° P - 48° sharp L - 52° W - 16°x34°
	157 lm (3000K)
	144 lm (3000K, 29°)
	1 power LED
	body and trim in aluminum
	remote power supply required, not included
	parallel
	recessed (ceiling, shelf, shop window)
	CRI 90



CIAK 1.7



2.5W 24VDC
CK17001 ■ ■ **B** White
CK17001 ■ ■ **N** Black

■	F - 2700K 5 - 3000K 9 - 4000K
■	S - 17° M - 29° P - 48° sharp L - 52° W - 16°x34°
	157 lm (3000K)
	144 lm (3000K, 29°)
	1 power LED
	body and trim in aluminum
	remote power supply required, not included
	parallel
	recessed (ceiling, shelf, shop window)
	CRI 90

CIAK 2.7
3000K, 5W, 17°, white



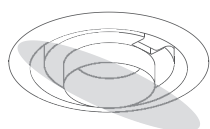
CIAK 2



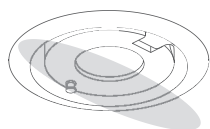
CIAK 2.6



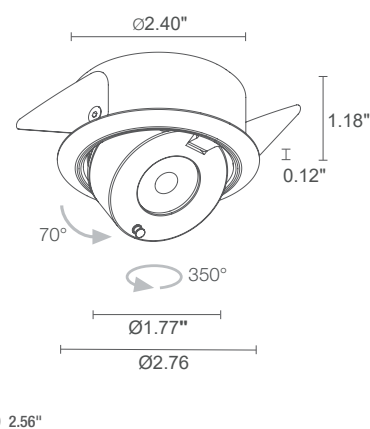
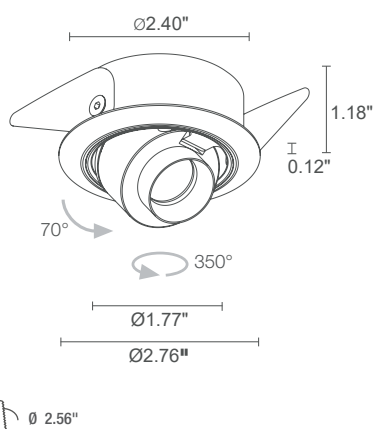
CIAK 2.7



13°x43° optics
(Ciak 2.6)



13°x43° optics
(Ciak 2.7)



MODEL NO.	5W 24Vdc CK26001 ■ ■ B White CK26001 ■ ■ N Black
■ LED COLOUR	F - 2700K 5 - 3000K 9 - 4000K
■ OPTICS	S - 11° M - 17° P - 19° sharp L - 32° J - 65° W - 13°x43°
LUMEN OUTPUT AT SOURCE	452 lm (3000K)
DELIVERED LUMEN OUTPUT	303 lm (3000K, 32°)
NO. AND TYPE OF LEDS	1 high-intensity power LED
MATERIAL	body and trim in aluminum
POWER SUPPLY UNIT	remote power supply required, not included
MOUNTING	recessed (ceiling, shelf, shop window)
FEATURES	CRI 90

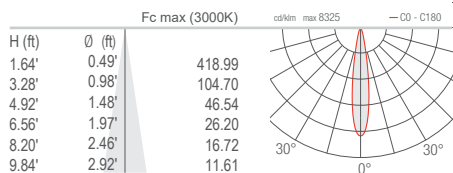
	5W 24Vdc CK27001 ■ ■ B White CK27001 ■ ■ N Black
■	F - 2700K 5 - 3000K 9 - 4000K
■	S - 11° M - 17° P - 19° sharp L - 32° J - 65° W - 13°x43°
	452 lm (3000K)
	303 lm (3000K, 32°)
	1 high-intensity power LED
	body and trim in aluminum
	remote power supply required, not included
	recessed (ceiling, shelf, shop window)
	CRI 90

CIAK

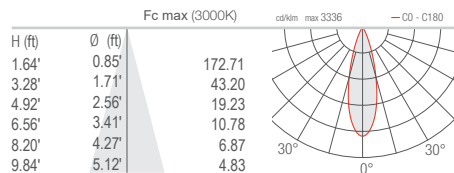
PHOTOMETRIC DATA

CIAK 1.0 1.1 1.6 1.7

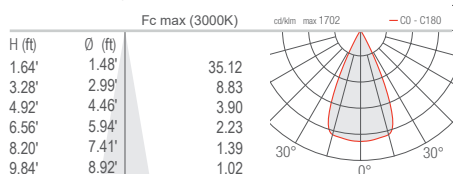
S - 17°



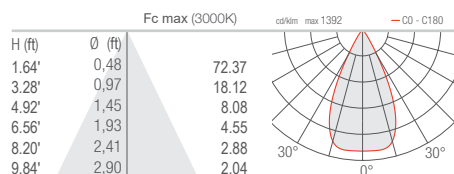
M - 29°



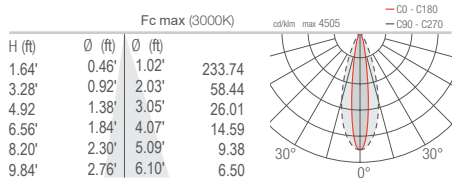
P - 48° sharp



L - 52°

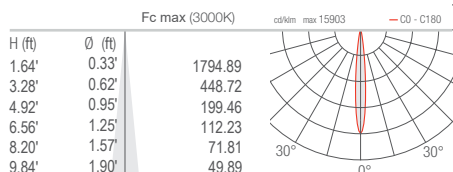


W - 16°x34°

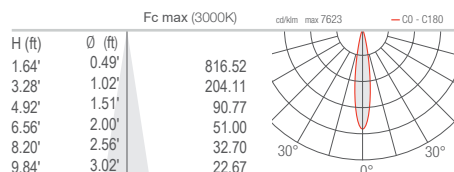


CIAK 2.6 2.7

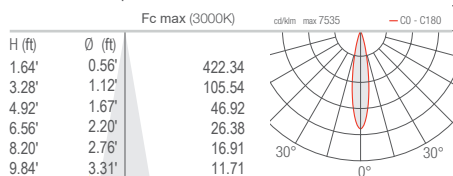
S - 11°



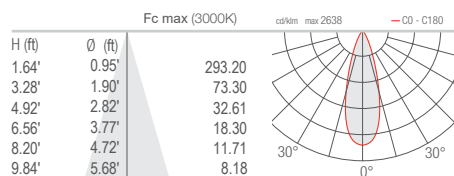
M - 17°



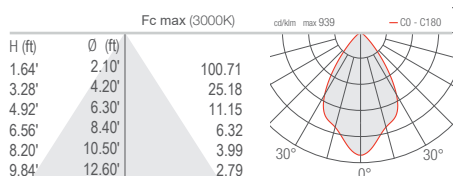
P - 19° sharp



L - 32°



J - 65°



W - 13°x43°

