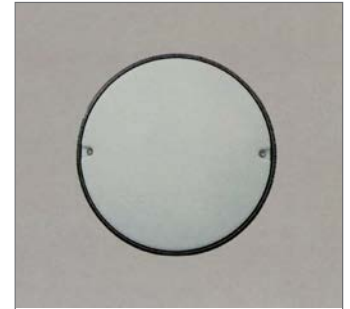




INSTRUCTIONS PERTAINING TO RISK OF FIRE OR INJURY TO PERSONS. READ ALL INSTRUCTIONS. IMPORTANT SAFETY INSTRUCTIONS. SAVE THESE INSTRUCTIONS.

DANGER - RISK OF SHOCK - DISCONNECT POWER BEFORE INSTALLATION! Please read all instructions before installation.

- Keep these instructions for future reference.
- Must be installed by a qualified electrician in accordance with national and local standards. Designplan is not responsible for fixtures installed without regard to these standards.
- Unauthorized alterations or tampering of product voids warranty.
- The main power connection must be in accordance with local electrical codes.
- Suitable for INDOOR and OUTDOOR applications.



IP65

ATTENTION: For Wall/Ceiling - It is the contractor's responsibility to caulk around all the edges between the fixture and the mounting surface to satisfy wet label requirements.
For In-Grade - It is the contractor's responsibility to seal the conduit with "Great Stuff" aerosol seal that prevents water and moisture penetration for ultimate protection. Contractor **MUST** use gel-filled wire nuts.

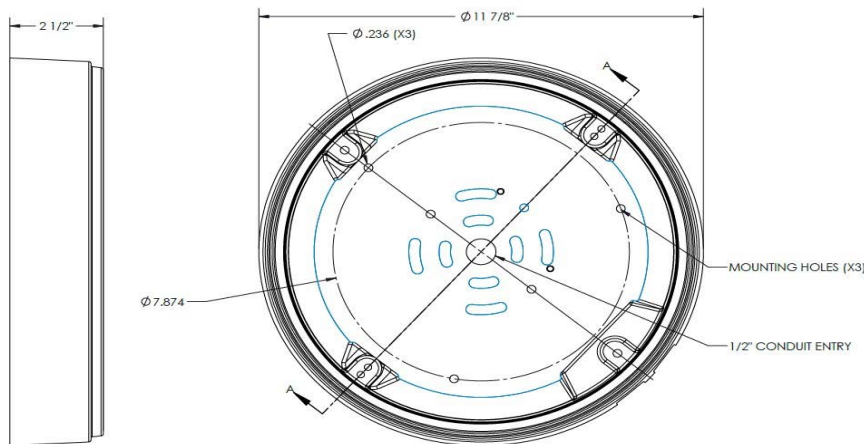
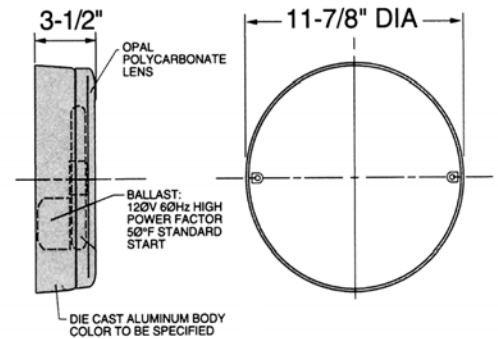
Maintenance

Scheduled maintenance must be carried out once a year on all lighting devices, regardless of appliance class and type of use. It must include the following operations:

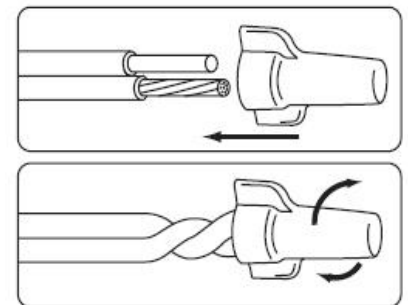
- Periodically clean fixtures to remove dirt from gratings and screw heads.
- Check tightness of screws on various parts of the device.
- Check that all cable glands and cables are intact and tight. Check that the glass or plastic lens is intact, and replace it if broken or damaged.
- The internal components such as the ballast, driver, washers and screws must not show clear signs of oxidation or rust. Clear traces of rust and oxidation will indicate the presence of water inside the device.
- In the case of damage, the components must be replaced by original components or spare parts.

Fixture Installation

- The lighting fixture comes fully assembled.
- Remove grill, lens and tray and connect the body to a standard outlet box.
- To remove the lens, unscrew the two screws on the sides, as shown in the image, using the allen wrench provided.
- To remove the LED board, unscrew the nylon nuts as shown in the image.
- Designplan recommends that the contractor utilize the three mounting holes in the back of the body to mount to the structure as well. It is the contractor's responsibility to supply proper anchorage based on job conditions. It is also the contractor's responsibility to caulk the back of the fixture in order to satisfy wet label requirements. It is also the contractor's responsibility to seal the conduit with "Great Stuff" aerosol seal that prevents water and moisture penetration for ultimate protection. Contractor **MUST** use gel-filled wire nuts.
- Unplug the amp connector. Make supply lead connections in the body using the female amp connector. **CONNECT GREEN WIRE TO "GROUND", CONNECT BLACK FIXTURE TO BLACK BUILDING WIRE AND CONNECT WHITE FIXTURE WIRE TO WHITE BUILDING WIRE. FOR 0-10V DIMMING APPLICATIONS THE RED IS THE POSITIVE (+) AND THE ORANGE IS NEGATIVE (-). IF DIMMING IS NOT REQUIRED SIMPLY CAP OFF ENDS SEPERATELY.** Plug amp connector back together.
- Secure the LED tray inside the body.
- Affix the grill and lens over the housing.



MOUNTING DETAIL



Use gel-filled waterproof wire-nuts for wire connections.