

DRY



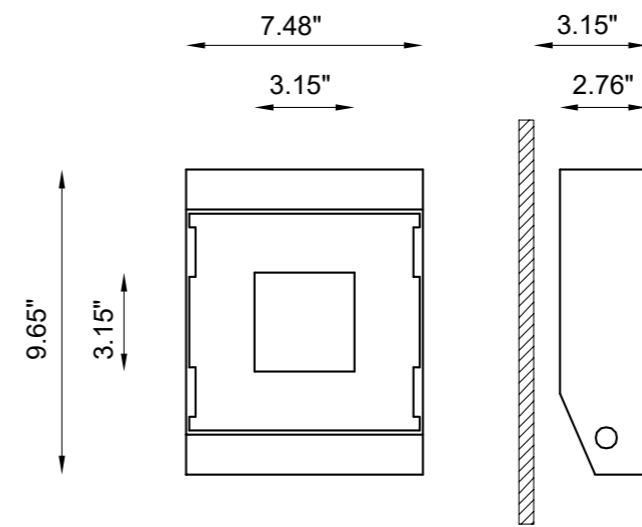
Creating stylish light paths, enhancing rooms, highlighting details: Dry, a totally disappearing luminaire made of AirCoral®, installable on plasterboard or brick walls, is the perfect solution to light spaces up, with particular attention to design and elegance.

designplan™ 



79 Trenton Avenue
Frenchtown, NJ 08825

www.designplan.com

Tel: (908) 996-7710
Fax: (908) 996-7042



TECHNICAL FEATURES

Code	BU6113.Z.AC.US
Type	Wall recessed 90° 
Material	AC: AirCoral®
Absorption capacity*	27.23 ft ²
Weight	3.31 lbs
Mounting	Wall recessed
IP rating	IP40
Control gear	Constant current electronic driver
Cut out for plasterboard	7.68" x 7.28"
Lamp type	LED 500mA 
Lamp wattage	1 x 10W
Luminous efficacy	105 lm/W - 3000K
Light distribution	Wide beam 40°
Light color	White 3000K (2700K, 4000K also available)
Light hole	3.15" x 3.15"
CRI	>90

* The absorption capacity per ft³ calculated by the American organization TCNA (Tile Council of North America) is measured for an average room of 8.86' in height and therefore expressed in ft²