

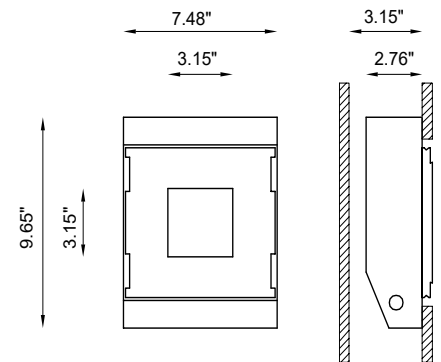
Dry is a totally disappearing recessed flangeless luminaire made of AirCoral® suitable for installation on walls. It is available in 3000K standard with a 40° optic and can be set up with a 45° or 90° light beam inclination.



## TECHNICAL DATA

|                           |  |
|---------------------------|--|
| <b>Wattage / Input</b>    | 10W (500mA)                            |
| <b>Power Supply</b>       | Remote, not included. See page 2.      |
| <b>Construction</b>       | Body: AirCoral®<br>Lens: Frosted Glass |
| <b>CCT</b>                | 3000K (2700K, 4000K on request)        |
| <b>CRI</b>                | >90                                    |
| <b>Delivered Lumens</b>   | 1050 lm (3000K)                        |
| <b>Efficacy</b>           | 105 lm/W                               |
| <b>Optics</b>             | 40°                                    |
| <b>Finishes</b>           | AirCoral®                              |
| <b>LED Source</b>         | Professional COB LED                   |
| <b>Fixture Dimensions</b> | 7.48" l x 2.76" w x 9.65" h            |
| <b>Cut-out Dimension</b>  | 7.68" x 7.28"                          |
| <b>Aperature</b>          | 3.15" x 3.15"                          |
| <b>Fixture Weight</b>     | 3.31 lbs                               |
| <b>IP Rating</b>          | IP40                                   |

Fixture Dimensions



The body is made of Aircoral® a unique patented composite material that actually purifies the air. It can be calculated how many cubic feet each fixture will purify. See website for Aircoral® calculator.

Additionally, Aircoral® is:

- Antibacterial.
- Antifungal.
- Scratch-resistant.
- Dust-resistant.
- Suitable for painting.
- LEED recognized material.

## ORDERING INFORMATION

Example: BU6113.Z.AC.US. Power Supplies ordered separately.

|                  |   |  |   |                |   |    |
|------------------|---|--|---|----------------|---|----|
| BU6113.Z         | . |  | . | AC             | . | US |
| <b>Model No.</b> |   | <b>CCT</b>                             |   | <b>Finish</b>  |   |    |
| BU6113.Z         |   | 27 - 2700K<br>30 - 3000K<br>40 - 4000K |   | AC - AirCoral® |   | US |

Job Name/Date:

Fixture Type Designation:

**SUGGESTED POWER SUPPLIES**

500mA

| Part Number                 | Description           | Input/Output                       | # of Fixtures |
|-----------------------------|-----------------------|------------------------------------|---------------|
| <a href="#">PPLT00187</a>   | 0-10V Dimming to 10%  | 120-277VAC to 500mA, 10W, Class 2  | 1-1           |
| <a href="#">PPLT00469</a>   | Phase Dim (120V only) | 120VAC to 500mA, 14W, Class 2      | 1-1           |
| <a href="#">PPLT00467-P</a> | 0-10V Dimming to 1%   | 120-277VAC to 500mA, 50W, Class 2  | 1-3           |
| <a href="#">PPLT00538-P</a> | 0-10V Dimming to 0.1% | 120-277VAC to 500mA, 100W, Class 2 | 1-8           |

Suggested Lutron Compatible

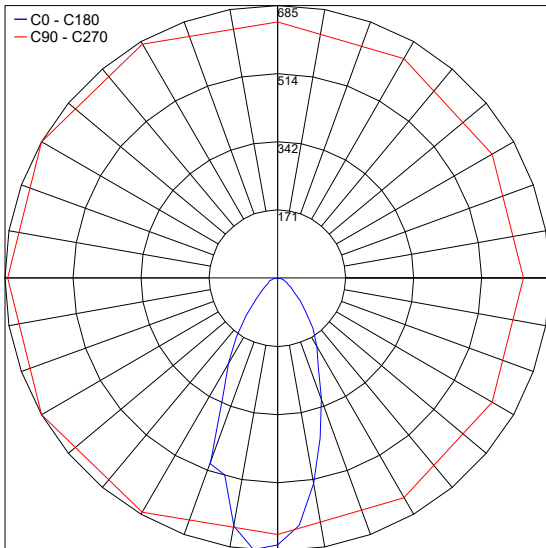
| Part Number               | Option         | Lutron SKU | Dim Range | Description   | Input/Output                      | # of Fixtures |
|---------------------------|----------------|------------|-----------|---|-----------------------------------|---------------|
| <a href="#">PPLT00249</a> | LTEA2W         | LTEA       | 100%-1%   | Hi-Lume™ 1% 2-Wire LED Driver (120V forward phase only) | 120VAC to 500mA, 10W, Class 2     | 1-1           |
| <a href="#">PPLT00259</a> | L3DAE / L3DA3W | L3DA       | 100%-1%   | Hi-Lume™ 1% EcoSystem™ or 1% 3-Wire LED Driver          | 120-277VAC to 500mA, 10W, Class 2 | 1-1           |
| <a href="#">PPLT00195</a> | L3DAE / L3DA3W | L3DA       | 100%-1%   | Hi-Lume™ 1% EcoSystem™ or 1% 3-Wire LED Driver          | 120-277VAC to 500mA, 19W, Class 2 | 1-1           |
| <a href="#">PPLT00180</a> | L3DAE / L3DA3W | L3DA       | 100%-1%   | Hi-Lume™ 1% EcoSystem™ or 1% 3-Wire LED Driver          | 120-277VAC to 500mA, 27W, Class 2 | 2-2           |
| <a href="#">PPLT00250</a> | LTEA2W         | LTEA       | 100%-1%   | Hi-Lume™ 1% 2-Wire LED Driver (120V forward phase only) | 120VAC to 500mA, 27W, Class 2     | 2-2           |

For other power supply options consult factory.

**PHOTOMETRIC DATA**

Note all Photometry is 3000K

Maximum Candela = 685



Job Name/Date:

Fixture Type Designation: