



INSTRUCTIONS PERTAINING TO RISK OF FIRE OR INJURY TO PERSONS. READ ALL INSTRUCTIONS. IMPORTANT SAFETY INSTRUCTIONS. SAVE THESE INSTRUCTIONS.

DANGER - RISK OF SHOCK - DISCONNECT POWER BEFORE INSTALLATION! Please read all instructions before installation.

- Keep these instructions for future reference.
- Must be installed by a qualified electrician in accordance with national and local standards. Designplan is not responsible for fixtures installed without regard to these standards.
- Unauthorized alterations or tampering of product voids warranty.
- The main power connection must be in accordance with local electrical codes.
- Suitable for INDOOR applications.
- DO NOT INSTALL INSULATION WITHIN 3.0" (76 mm) OF ANY PART OF THE LUMINAIRE.



Maintenance

Scheduled maintenance must be carried out once a year on all lighting devices, regardless of appliance class and type of use. It must include the following operations:

- Periodically clean fixtures to remove dirt from gratings and screw heads.
- Check tightness of screws on various parts of the device.
- Check that all cable glands and cables are intact and tight. Check that the glass or plastic lens is intact, and replace it if broken or damaged.
- The internal components such as the ballast, driver, washers and screws must not show clear signs of oxidation or rust. Clear traces of rust and oxidation will indicate the presence of water inside the device.
- In the case of damage, the components must be replaced by original components or spare parts.

Assembly Instructions

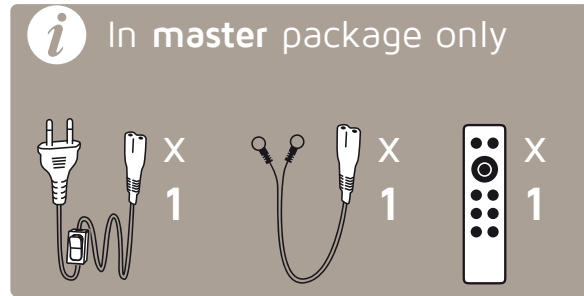
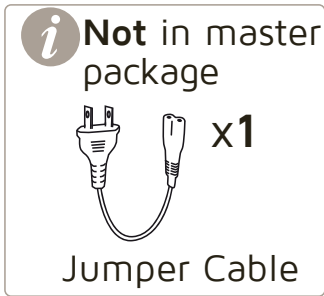
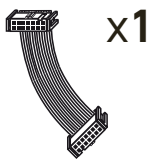
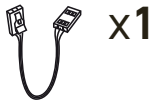
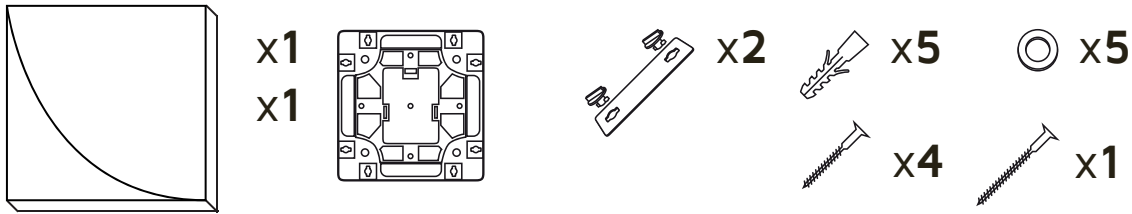
- It is recommended not to place tile in an area of direct sun light. The material used in this product may show a natural chromatic variation.
- The system is designed to be mounted on to a wall only. Do not attempt to place the Tile system on the ceiling.



Before installation, maintenance or cleaning, first disconnect the input power to the system or switch off power.

Fixture Installation

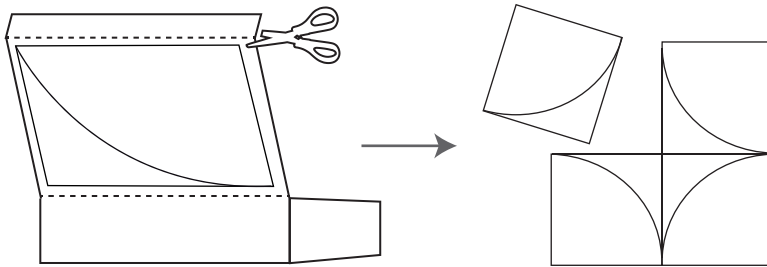
Confirm all components received



Tools needed

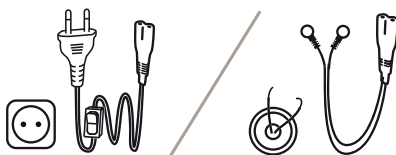


a Plan your composition

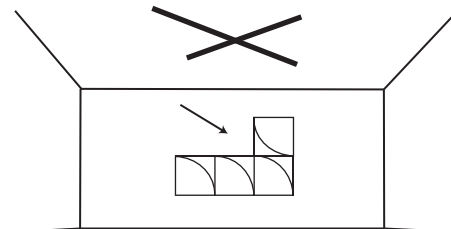


! One fixture configuration could contain up to 16 tiles only.

i Ensure to have an electric feeding in the chosen location.



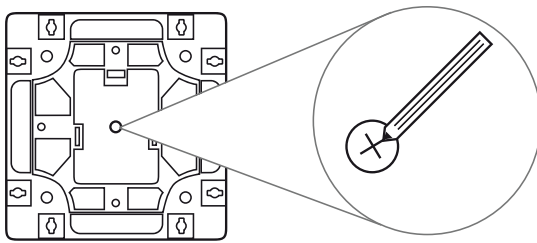
! Do NOT attach tiles onto a ceiling.



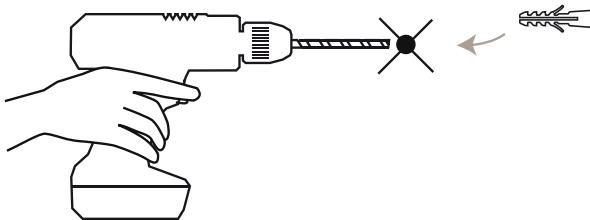
b Attach first base

i Start with the base which will be connected to the electric feeding.

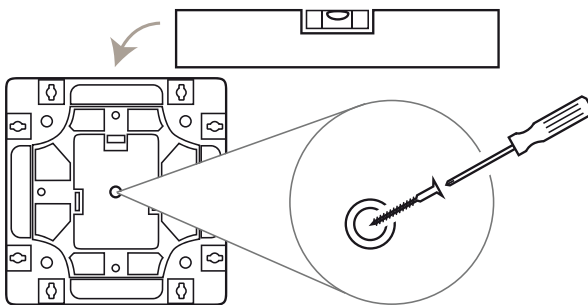
b.1. Attach the base against the wall and mark the central point.



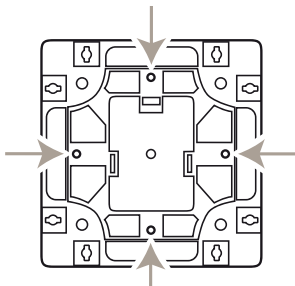
b.2. Set aside the base, drill the marked point, and then insert the anchor.



b.3. Reattach and screw the base while checking alignment.



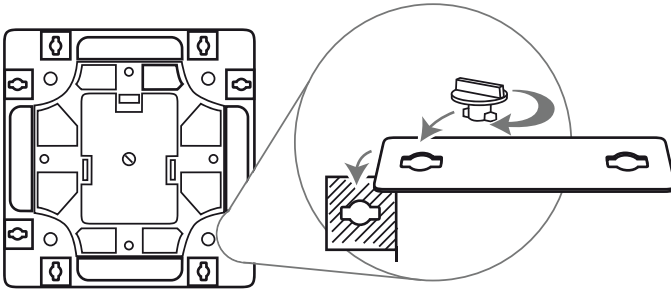
i There are 4 other optional drilling holes.



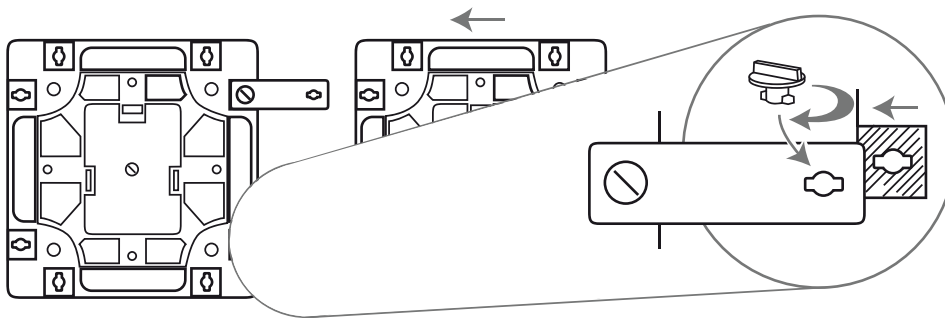
In case of setting one tile only, Switch OFF electric power, and then proceed to section d.3.

C Attach next base

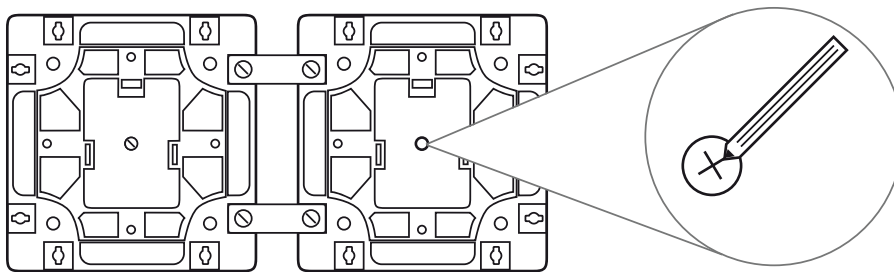
c.1. Attach the spacers onto the side of the first base, where you wish to mount the next base.



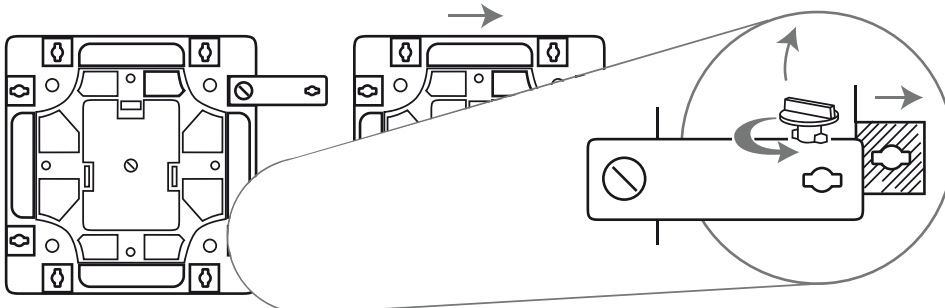
c.2. Attach the current base to the spacers.



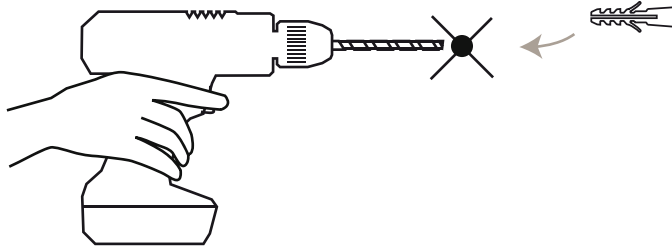
c.3. Mark the central point for drilling.



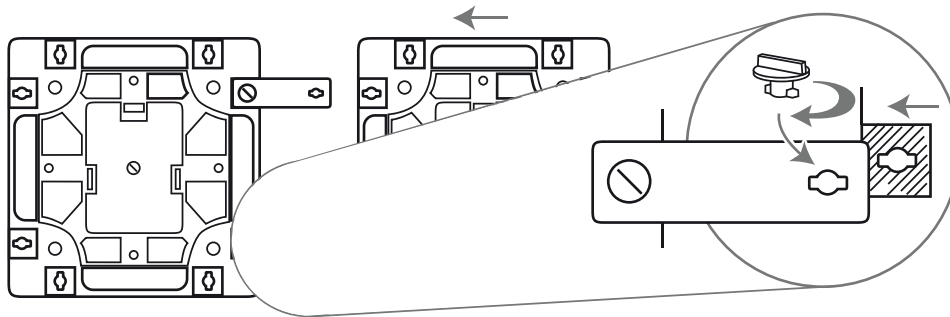
c.4. Detach the current tile from the spacers and set aside.



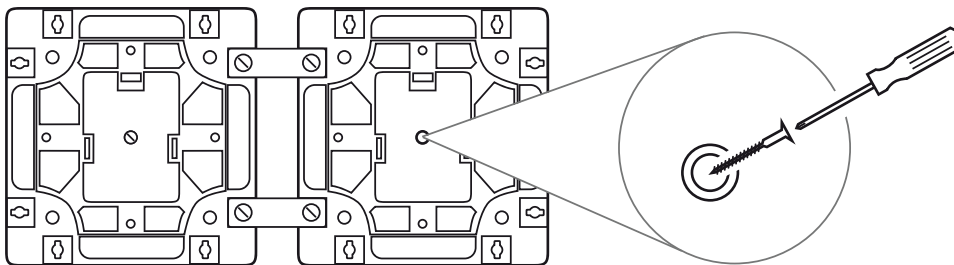
c.5. Drill the marked point, and then insert the anchor.



c.6. Reattach the base.



c.7. Screw the base; Recommended to check alignment once more.

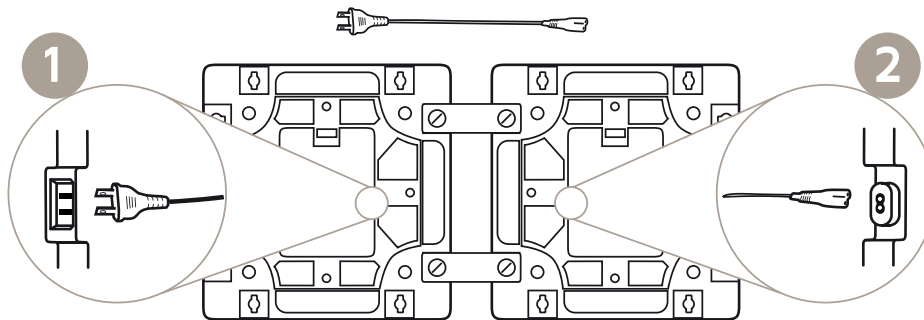


 Repeat instructions from section **C.1.** with all other bases.

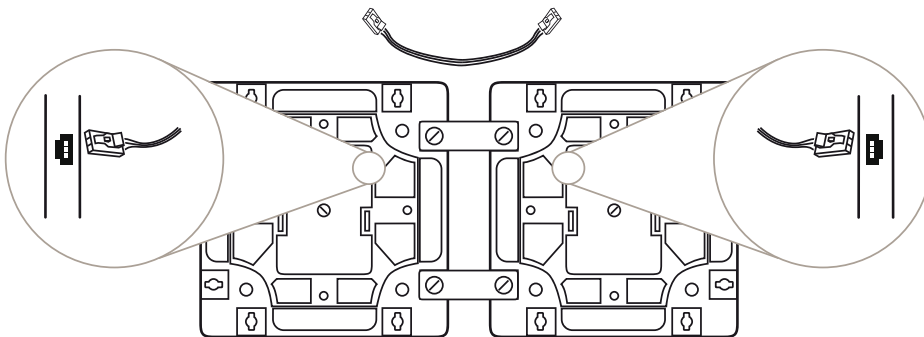
d) Connect cables

 **Switch OFF electric power**

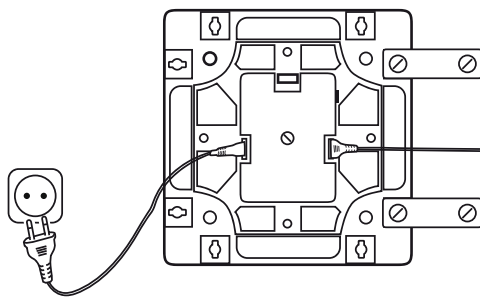
d.1. Connect electrical jumper cable.




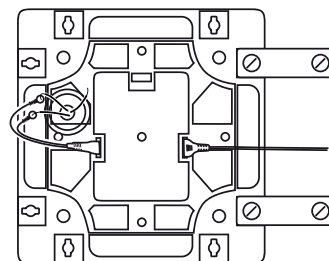
d.2. Connect the wire-board connector.




d.3. Connect to the electric feeding.



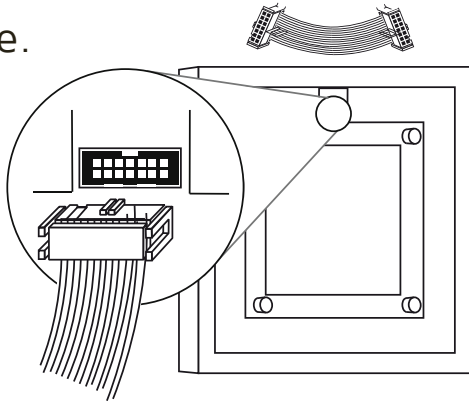
 **Direct electrical connection must be assembled by Professional electrician.**



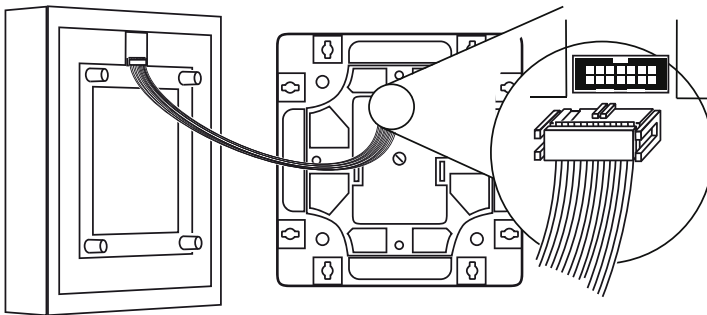
 **Switch ON electric power only after all jumper cables and electric feeding cables are connected.**

e Attach the Tile

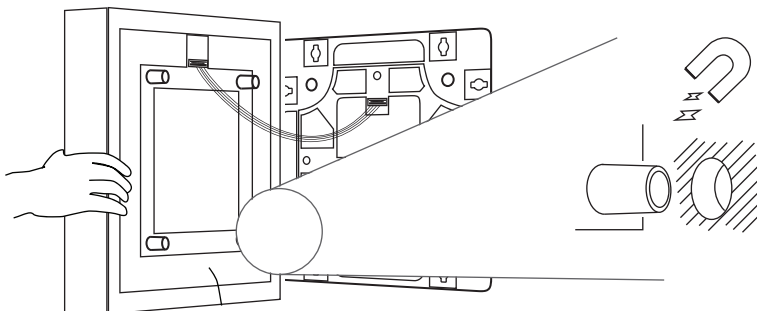
e.1. Connect the controller cable to the back of the tile.



e.2. Connect the controller cable to the base. Tile should lit on.



e.3. Attach the tile to the base.



Troubleshooting

Light does not turn on?

1. Disconnect the electrical power.
2. Check again all cable and connector connections.
3. Resume electrical power and turn light on.



Done!