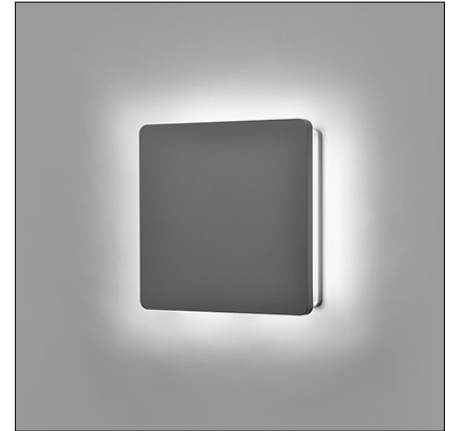


# ECLIPSE MINI SQUARE

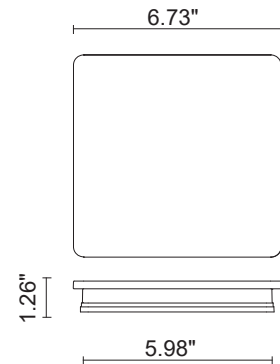
Eclipse Mini Square is an outdoor wall / surface mounted fixture that creates a diffused light through it's perimeter (360°). It is available with a built-in driver and 3 standard finishes.



## TECHNICAL DATA

<b>Wattage / Input</b>	10W (120VAC)
<b>Power Supply</b>	Integral
<b>Construction</b>	Body: Die-Cast Copper-Free Aluminum Lens: Frosted Polycarbonate Diffuser
<b>CCT</b>	3000K
<b>BUG Rating</b>	B0-U3-G1
<b>Delivered Lumens</b>	474 lm (3000K)
<b>Efficacy</b>	47.4 lm/W
<b>Optics</b>	360°
<b>Finishes</b>	Textured Gray, Anthracite Gray, Matte Black on request
<b>Fixture Dimensions</b>	6.73" l x 1.32" w
<b>Fixture Weight</b>	2.2 lbs
<b>LED Source</b>	Low-power CREE LED
<b>IP Rating</b>	IP65
<b>IK Rating</b>	IK08

Fixture Dimensions:



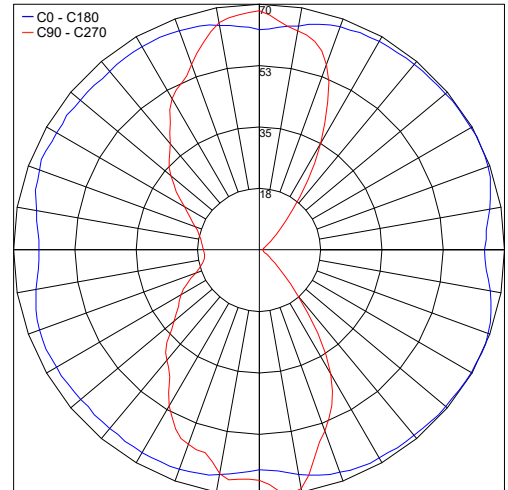
## ORDERING INFORMATION

Example: 401702P-30K-360-AG

401702P	-	30K	-	360	-	
<b>Model No.</b>		<b>CCT</b>		<b>Optic</b>		<b>Finish</b>
401702P		30K - 3000K		360 - 360°		TG - Textured Gray AG - Anthracite Gray MB - Matte Black

## PHOTOMETRIC DATA

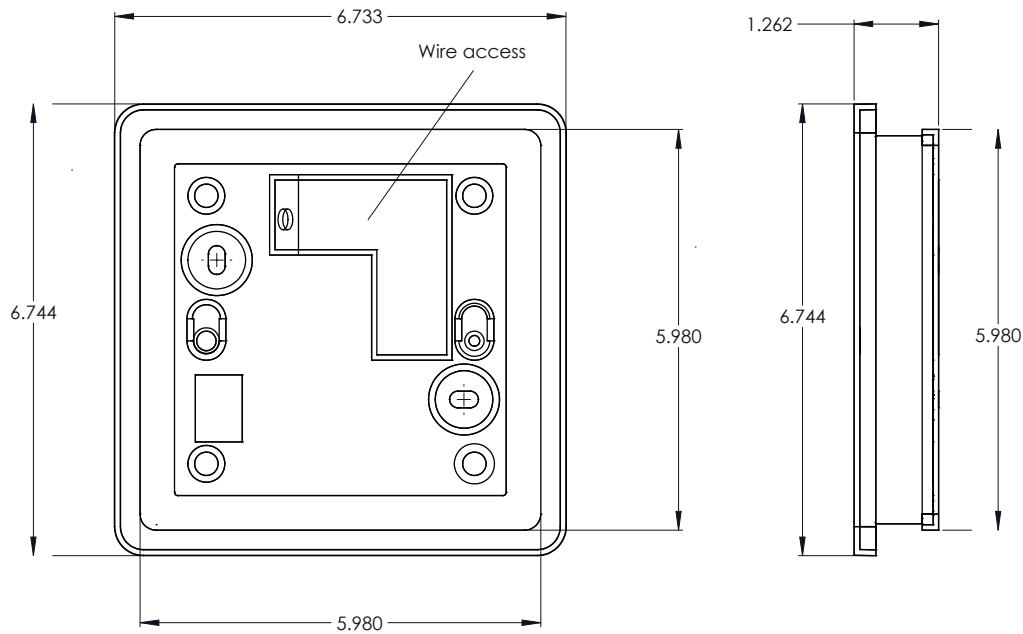
Maximum Candela = 70.3



Job Name/Date:

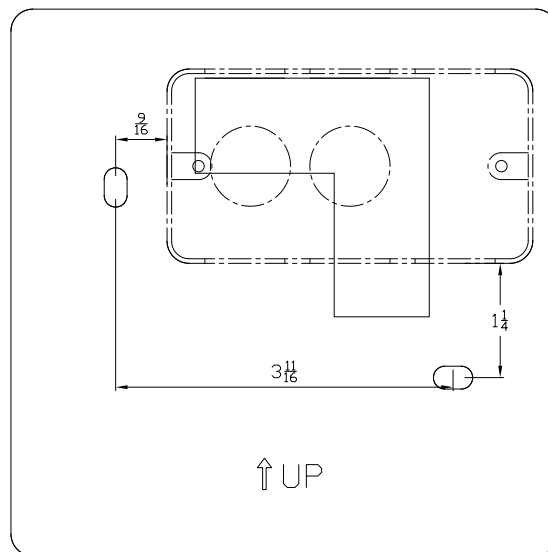
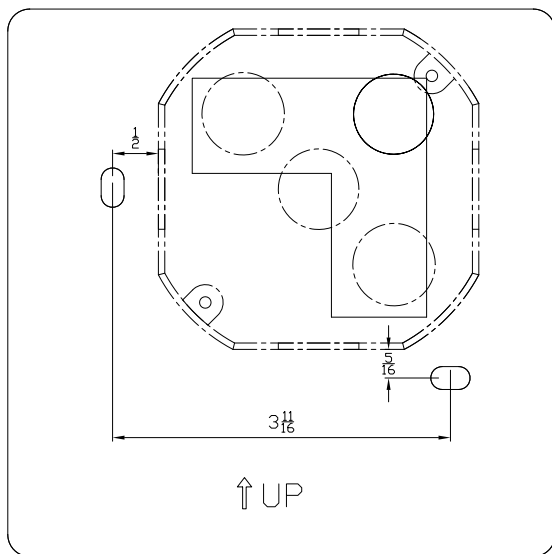
Fixture Type Designation:

## MOUNTING DIMENSIONS



4in J-Box

Horizontal Switch Box



Job Name/Date:

Fixture Type Designation: