

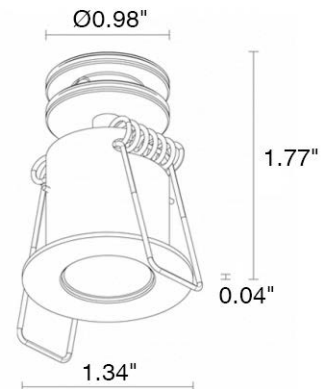
The Eyes 2.R is a small, round, recessed downlight for indoor applications available in 3 color temperatures and 5 optics options.



## TECHNICAL DATA

<b>Wattage / Input</b>	2.5W (700mA Constant Current)
<b>Power Supply</b>	Remote, not included. See page 2.
<b>Construction</b>	Body: Brass Lens: Frosted / Transparent Plexiglass Cable Length: 4.9' standard
<b>CCT</b>	2700K, 3000K, 4000K
<b>CRI</b>	>90
<b>Delivered Lumens</b>	160 lm (3000K, 23°)
<b>Efficacy</b>	64 lm/W
<b>Optics</b>	5 Standard (see below)
<b>Finishes</b>	3 Standard, Custom RAL (see below)
<b>Cut-Out Dimensions</b>	Ø1.18"
<b>Fixture Dimensions</b>	Ø1.38" x 1.77"
<b>Fixture Weight</b>	0.17 lbs
<b>LED Source</b>	1 Power LED
<b>Lumen Maintenance</b>	L90, B10>60,000hrs (Ta 25°C)
<b>Color Consistency</b>	2-Step MacAdam
<b>Operating Temp.</b>	32°F to +113°F
<b>IP Rating</b>	IP40

Ceiling Cut-Out: Ø1.18"  
Fixture Dimensions



## ORDERING INFORMATION

Example: **EY2R20100050MB**. Accessories and Power Supplies ordered separately.

<b>EY2R201000</b>			
<b>Model No.</b>	<b>CCT</b>	<b>Optics</b>	<b>Finish</b>
<b>EY2R201000</b>	<b>F</b> - 2700K <b>5</b> - 3000K <b>9</b> - 4000K	<b>0S</b> - 17° <b>0M</b> - 23° <b>0L</b> - 36° <b>0W</b> - 20°x40° <b>0D</b> - Diffuse	<b>N</b> - Black <b>S</b> - Satin <b>B</b> - White <b>CR</b> - Custom RAL <i>(Consult factory for "CR")</i>

Job Name/Date:

Fixture Type Designation:

## SUGGESTED POWER SUPPLIES

700mA

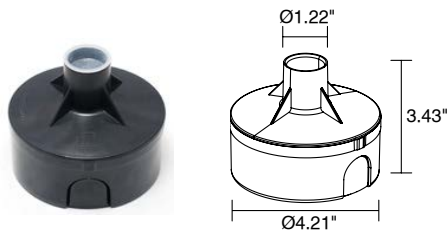
Part Number	Description	Input/Output	# of Fixtures
<a href="#">PPLT00199</a>	0-10V Dimming to 10%	120-277VAC to 700mA, 6W, Class 2, IP67	2-2
<a href="#">PPLT00470</a>	Phase Dim (120V only)	120VAC to 700mA, 14W, Class 2	3-5
<a href="#">PPLT00465-P</a>	0-10V Dimming to 1.0%	120-277VAC to 700mA, 20W, Class 2	1-8
<a href="#">PPLT00308-P</a>	0-10V Dimming to 0.1%	120-277VAC to 700mA, 30W, Class 2	1-12
<a href="#">PPLT00467-P</a>	0-10V Dimming to 1.0%	120-277VAC to 700mA, 50W, Class 2	1-17
<a href="#">PPLT00538-P</a>	0-10V Dimming to 0.1%	120-277VAC to 700mA, 100W, Class 2	1-40

## Suggested Lutron Compatible

Part Number	Option	Lutron SKU	Dim Range	Description	Input/Output	# of Fixtures
<a href="#">PPLT00512</a>	LTEA2W	LTEA	100%-1%	Hi-Lume™ 1% 2-Wire LED Driver (120V forward phase only)	120VAC to 500mA, 14W, Class 2	3-5
<a href="#">PPLT00515</a>	L3DAE / L3DA3W	L3DA	100%-1%	Hi-Lume™ 1% EcoSystem™ or 1% 3-Wire LED Driver	120-277VAC to 500mA, 14W, Class 2	3-5
<a href="#">PPLT00278</a>	LTEA2W	LTEA	100%-1%	Hi-Lume™ 1% 2-Wire LED Driver (120V forward phase only)	120VAC to 500mA, 27W, Class 2	6-10
<a href="#">PPLT00517</a>	L3DAE / L3DA3W	L3DA	100%-1%	Hi-Lume™ 1% EcoSystem™ or 1% 3-Wire LED Driver	120-277VAC to 500mA, 27W, Class 2	6-10
<a href="#">PPLT00510</a>	LTEA2W	LTEA	100%-1%	Hi-Lume™ 1% 2-Wire LED Driver (120V forward phase only)	120VAC to 500mA, 38W, Class 2	11-15
<a href="#">PPLT00181</a>	L3DAE / L3DA3W	L3DA	100%-1%	Hi-Lume™ 1% EcoSystem™ or 1% 3-Wire LED Driver	120-277VAC to 500mA, 38W, Class 2	11-15

For other power supply options consult factory.

## ACCESSORIES - Installation



### WC0202

Outer Casing for solid walls.

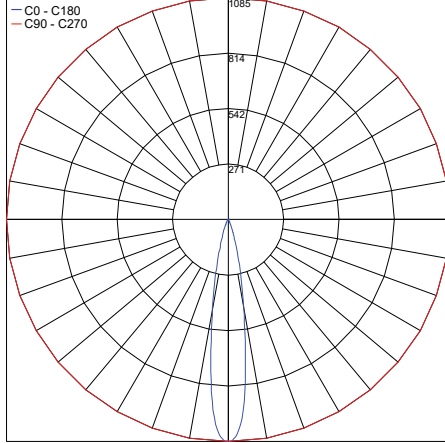
Job Name/Date:

Fixture Type Designation:

## PHOTOMETRIC DATA

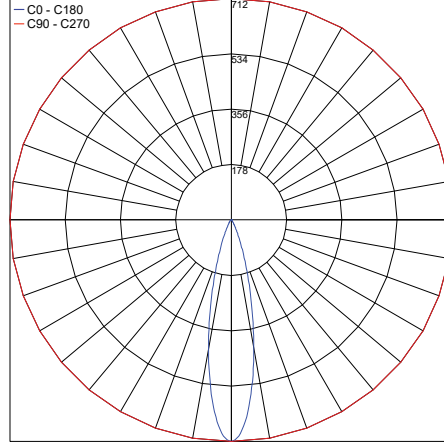
Note all Photometry is 3000K

Maximum Candela = 1084.7



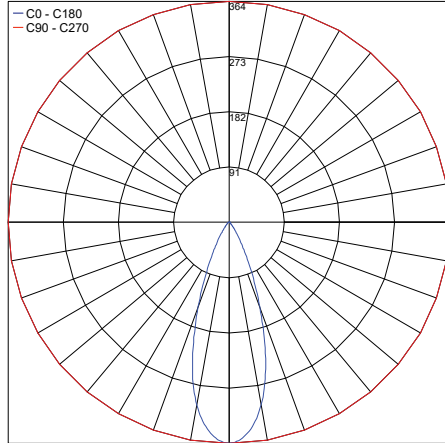
PHOTOMETRIC FILENAME : EYES 2.R S 17° [3000K 2.5W 700MA].IES

Maximum Candela = 712.1



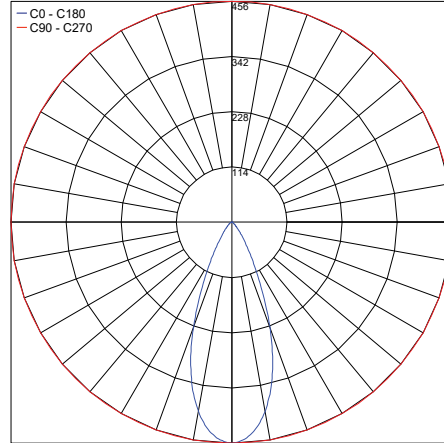
PHOTOMETRIC FILENAME : EYES 2.R M 23° [3000K 2.5W 700MA].IES

Maximum Candela = 363.9



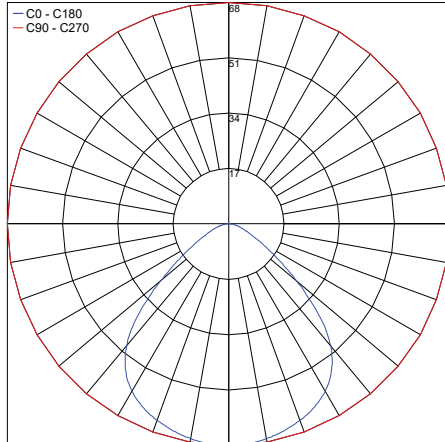
PHOTOMETRIC FILENAME : EYES 2.R L 36° [3000K 2.5W 700MA].IES

Maximum Candela = 456.4



PHOTOMETRIC FILENAME : EYES 2.R W 20°X40° [3000K 2.5W 700MA].IES

Maximum Candela = 67.6



PHOTOMETRIC FILENAME : EYES 2.R D [3000K 2.5W 700MA].IES

Job Name/Date:

Fixture Type Designation: