

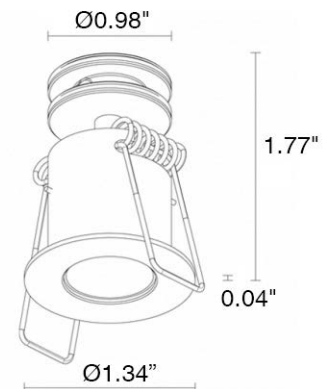
The Eyes 2.T is a small, round, recessed downlight for indoor applications available in 3 color temperatures and 5 optics options.



TECHNICAL DATA

Wattage / Input	3W (24VDC Constant Voltage)
Power Supply	Remote, not included. See page 2.
Construction	Body: Brass Lens: Frosted / Transparent Plexiglass Cable Length: 4.9' standard
CCT	2700K, 3000K, 4000K
CRI	>90
Delivered Lumens	160 lm (3000K, 23°)
Efficacy	53.3 lm/W
Optics	5 Standard (see below)
Finishes	3 Standard, Custom RAL (see below)
Cut-Out Dimensions	Ø1.18"
Fixture Dimensions	Ø1.34" x 1.77"
Fixture Weight	0.17 lbs
LED Source	1 Power LED
Lumen Maintenance	L90, B10>60,000hrs (Ta 25°C)
Color Consistency	2-Step MacAdam
Operating Temp.	32°F to +113°F
IP Rating	IP40

Ceiling Cut-Out: Ø1.18"
Fixture Dimensions



ORDERING INFORMATION

Example: **EY2T00100050MB**. Accessories and Power Supplies ordered separately.

EY2T001000			
Model No.	CCT	Optics	Finish
EY2T001000	F - 2700K 5 - 3000K 9 - 4000K	0S - 17° 0M - 23° 0L - 36° 0W - 20°x40° 0D - Diffuse	N - Black S - Satin B - White CR - Custom RAL (Consult factory for "CR")

Job Name/Date:

Fixture Type Designation:

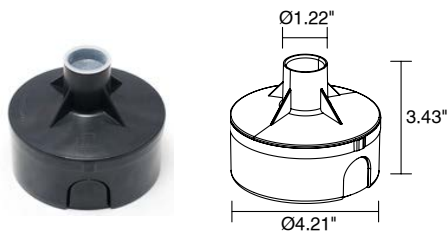
SUGGESTED POWER SUPPLIES

24VDC

Part Number	Description	Input/Output	# of Fixtures
PPLT00128	Non-Dim	120VAC to 24VDC, 6W, Class 2, IP65	1-1
PPLT00632	0-10V Dimming (Dim to Off)	120-277VAC to 24VDC, 12W, Class 2	1-3
PPLT00056	Non-Dim	120-277AC to 24VDC, 26W, Class 2, IP66	1-6
PPLT00157	Non-Dim	120VAC to 24VDC, 60W, Class 2	1-16
PPLT00599	ELV / TRIAC & 0-10V Dimming 100-0%	120-277VAC to 24VDC, 96W, Class 2	1-25
PPLT00543	0-10V Dimming to 15% (-40°C / -40°F cold weather start)	120-277VAC to 24VDC, 100W, Class 2	4-26

For other power supply options consult factory.

ACCESSORIES - Installation



WC0202

Outer Casing for solid walls.

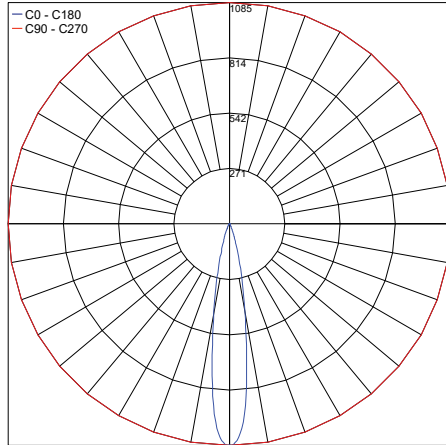
Job Name/Date:

Fixture Type Designation:

PHOTOMETRIC DATA

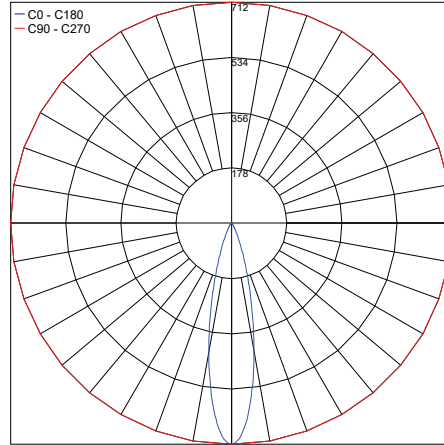
Note all Photometry is 3000K

Maximum Candela = 1084.7



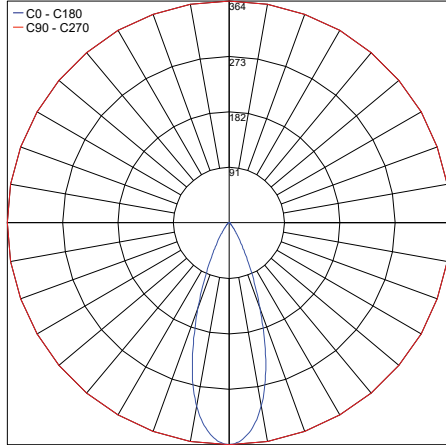
PHOTOMETRIC FILENAME : EYES 2.T S 17° [3000K 3W 24VDC].IES

Maximum Candela = 712.1



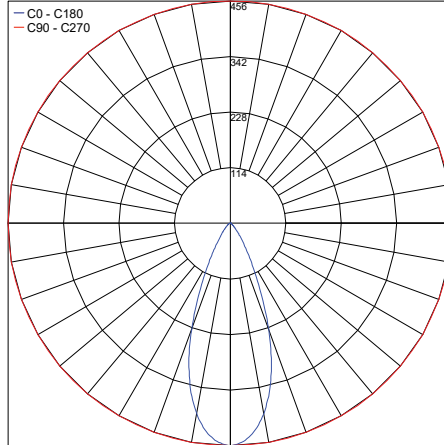
PHOTOMETRIC FILENAME : EYES 2.T M 23° [3000K 3W 24VDC].IES

Maximum Candela = 363.9



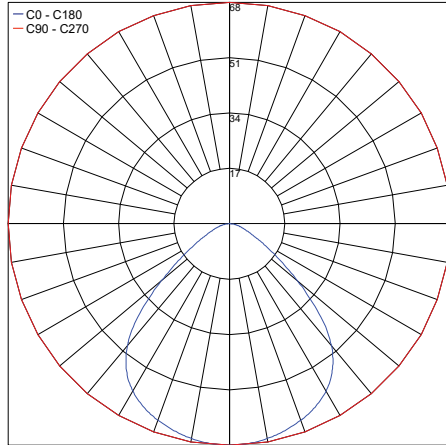
PHOTOMETRIC FILENAME : EYES 2.T L 36° [3000K 3W 24VDC].IES

Maximum Candela = 456.4



PHOTOMETRIC FILENAME : EYES 2.T W 20°X40° [3000K 3W 24VDC].IES

Maximum Candela = 67.6



PHOTOMETRIC FILENAME : EYES 2.T D [3000K 3W 24VDC].IES

Job Name/Date:

Fixture Type Designation: