

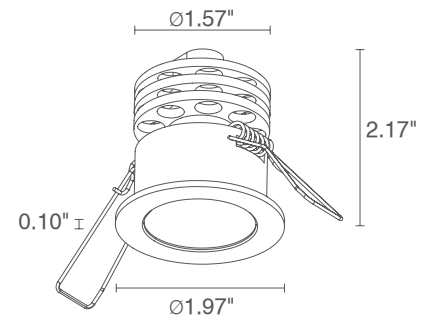
The Eyes 3.1 is an indoor recessed downlight available in blue, white or RGB light with 5 standard finishes and 3 optics options.

## TECHNICAL DATA

<b>Wattage / Input</b>	6W (500mA)
<b>Power Supply</b>	Remote, not included. See page 2.
<b>Construction</b>	Body: Anodized Aluminum Alloy EN AW 6026 Trim: Brass Cable Length: 4.9' standard
<b>CCT</b>	2700K, 3000K, 4000K, 5000K, Blue, RGB (2200K available on request)
<b>CRI</b>	CRI >80
<b>Delivered Lumens</b>	348 lm (3000K, 24°) RGB: 220 lm: (R) 81 lm, (B) 104 lm, (G) 35 lm (24°)
<b>Efficacy</b>	58 lm/W (3000K, 24°) RGB: 36.7 lm/W
<b>Optics</b>	12°, 24°, 50°
<b>Finishes</b>	5 Standard, Custom RAL (see below)
<b>Cut-Out Dimensions</b>	Ø1.69"
<b>Fixture Dimensions</b>	Ø1.97" x 2.17" h
<b>Fixture Weight</b>	0.40 lbs
<b>LED Source</b>	3 Power LEDs
<b>Lumen Maintenance</b>	L90, B10>50,000hrs (Ta 25°C)
<b>Color Consistency</b>	1/4 ANSI BIN
<b>Operating Temp.</b>	32°F to +113°F
<b>IP Rating</b>	IP40 (IP44 available on request)



Ceiling Cut-Out: Ø 1.69"  
Fixture Dimensions



## ORDERING INFORMATION

Example: F32506MD. Accessories / Power Supplies ordered separately.

<b>F3250</b>			
<b>Model No.</b>	<b>CCT</b>	<b>Optics</b>	<b>Finish</b>
<b>F3250</b>	<b>F</b> - 2700K <b>5</b> - 3000K <b>9</b> - 4000K <b>0</b> - 5000K	<b>1</b> - Blue <i>(2200K available on request)</i>	<b>S</b> - 12° <b>M</b> - 24° <b>L</b> - 50°
			<b>EB</b> - White <b>ED</b> - Gold <b>EN</b> - Black <b>EC</b> - Chrome <b>ES</b> - Satin <b>ECR</b> - Custom RAL <i>(Consult factory for "CR")</i>
<b>Model No.</b>	<b>CCT</b>	<b>Optics</b>	<b>Finish - RGB</b>
<b>F3250</b>	<b>6</b> - RGB	<b>S</b> - 12° <b>M</b> - 24° <b>L</b> - 50°	<b>B</b> - White <b>D</b> - Gold <b>N</b> - Black <b>C</b> - Chrome <b>S</b> - Satin <b>CR</b> - Custom RAL <i>(Consult factory for "CR")</i>

Job Name/Date:

Fixture Type Designation:

## SUGGESTED POWER SUPPLIES

500mA

Part Number	Description	Input/Output	# of Fixtures
<a href="#">PPLT00497</a>	Phase Dimming (120V Only)	120VAC to 500mA, 12W, Class 2	1-2
<a href="#">PPLT00308-P</a>	0-10V Dimming to 0.1%	120-277VAC to 500mA, 30W, Class 2	1-5
<a href="#">PPLT00467-P</a>	0-10V Dimming to 1.0%	120-277VAC to 500mA, 50W, Class 2	1-5
<a href="#">PPLT00538-P</a>	0-10V Dimming to 0.1%	120-277VAC to 500mA, 100W, Class 2	1-16

## Suggested Lutron Compatible

Part Number	Option	Lutron SKU	Dim Range	Description	Input/Output	# of Fixtures
<a href="#">PPLT00195</a>	L3DAE / L3DA3W	L3DA	100%-1%	Hi-Lume™ 1% EcoSystem™ or 1% 3-Wire LED Driver	120-277VAC to 500mA, 19W, Class 2	2-3
<a href="#">PPLT00258</a>	LTEA2W	LTEA	100%-1%	Hi-Lume™ 1% 2-Wire LED Driver (120V forward phase only)	120VAC to 500mA, 19W, Class 2	2-3
<a href="#">PPLT00180</a>	L3DAE / L3DA3W	L3DA	100%-1%	Hi-Lume™ 1% EcoSystem™ or 1% 3-Wire LED Driver	120-277VAC to 500mA, 27W, Class 2	4-4
<a href="#">PPLT00250</a>	LTEA2W	LTEA	100%-1%	Hi-Lume™ 1% 2-Wire LED Driver (120V forward phase only)	120VAC to 500mA, 27W, Class 2	4-4

500mA - RGB

Part Number	Description	Input/Output	# of Fixtures 7W
<a href="#">PPLT00244-P</a>	DMX / RDM (Must advise DMX addresses if not using RDM)	120-277VAC to 500mA, 50W, Class 2	1-6
<a href="#">PPLT00129-P</a>	DMX / RDM (Field Addressable)	120-277VAC to 500mA, 100W, Class 2	1-12

For other power supply options consult factory.

## ACCESSORIES

### Installation



**WC1500**  
Outer Casing  
For wall or ingrade use



**WC1501**  
Outer Casing  
For wall or ingrade use

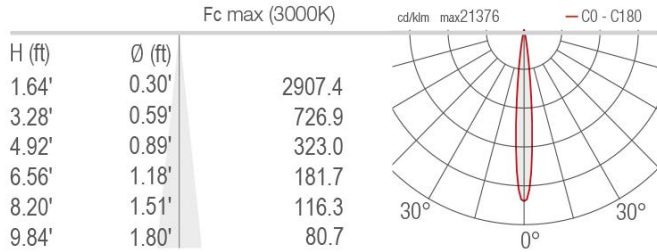
Job Name/Date:

Fixture Type Designation:

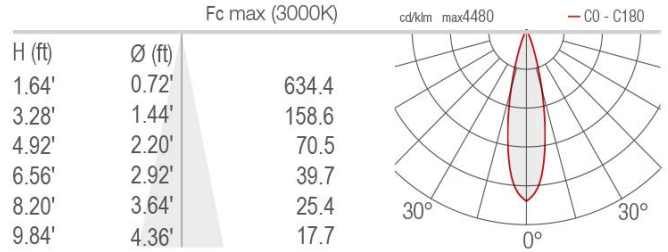
## PHOTOMETRIC DATA

Note all Photometry is 3000K

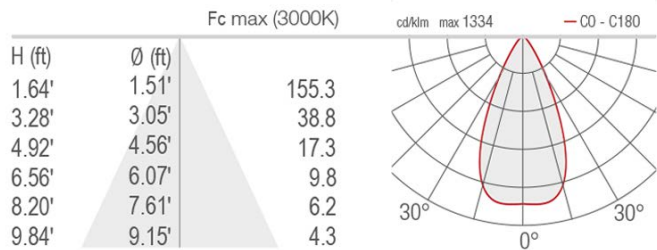
### S - 12°



### M - 24°



### L - 50°



Job Name/Date:

Fixture Type Designation: