

Technical features

IP65 IK09



805004P-805008P

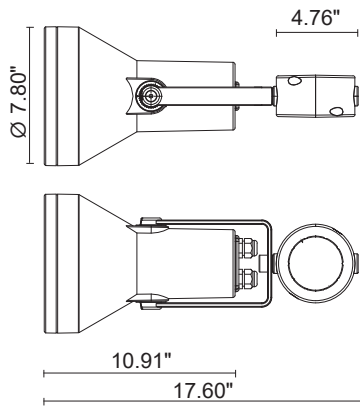
FLASH POLE MAXI COB

Round pole-mounted floodlight for outdoor installation on a pole diam. 2.36" or 2.99" (pole by others). Phospho-chromatized and polyester powder coated die-cast copper-free aluminum body, tempered safety glass, molded silicone gasket and stainless steel screws. Clamp for pole diam 2.36" or 2.99" included. Built-in LED driver 120VAC 50-60Hz, with 1 CREE CXB 2530 COB LED. IP65 rating.

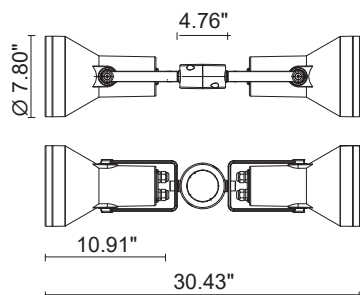
Technical data

IP Rating	IP65
IK Rating	IK09
Material	High corrosion resistance die-cast copper-free aluminum body
Coating	Polyester powder coating with phosphochromating pre-finish
Screws	Stainless steel
Transformer	Electronic power supply 120VAC 50-60Hz built-in
Gasket	Silicone rubber
Glass	Tempered
Cable gland	Double nickel-plated brass cable gland PG11
Power cable	9.84 ft. neoprene power cable included

805004P



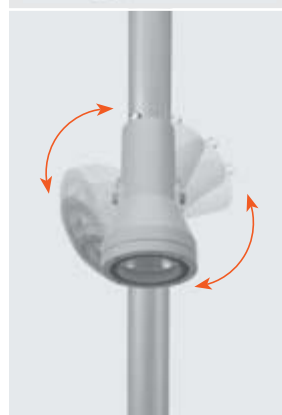
805008P



AC-027P Anti-glare visor for Flash Maxi




Graduated stainless steel insert



805004P

SINGLE FLASH POLE MAXI COB

36W 120VAC 50-60HZ ELECTRONIC

light source	light beam options	lumen output (lm)	lumin. efficacy (lm/w)
3000°K warm-white			
cob led	 35°	3,100	86.10

Colors options

 Textured Gray
RAL 9006

 Anthracite Gray
RAL 7016

 Matte Black
(on request)

Technical data

Wattage	36W
Light source	NR. 1 CREE CXB 2530 LED
Gross weight	8.8 lbs




POLE BY OTHERS

805008P

DOUBLE FLASH POLE MAXI COB

2 X 36W 120VAC 50-60HZ ELECTRONIC

light source	light beam options	lumen output (lm)	lumin. efficacy (lm/w)
3000°K warm-white			
cob led	 35°	2 x 3,100	86.10

Colors options

 Textured Gray
RAL 9006

 Anthracite Gray
RAL 7016

 Matte Black
(on request)

Technical data

Wattage	2 x 36W
Light source	NR. 2 x 1 CREE CXB 2530 LED
Gross weight	16.5 lbs



POLE BY OTHERS