

Technical features

IP65

IK09

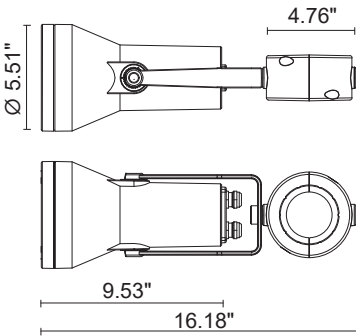


805002P-805006P

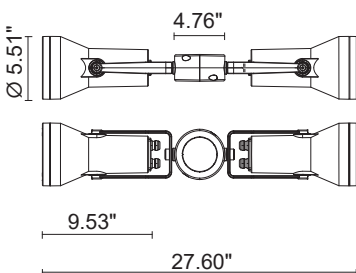
FLASH POLE MEDIUM COB

Round pole-mounted floodlight for outdoor installation on a pole diam. 2.36" or 2.99" (pole by others). Phospho-chromatised and polyester powder coated die-cast copper-free aluminum body, tempered safety glass, molded silicone gasket and stainless steel screws. Clamp for pole diam 2.36" or 2.99" included. Built-in LED driver 120VAC 50-60Hz, with 1 CREE CXA 1512 COB LED. IP65 rating.

805002P



805006P



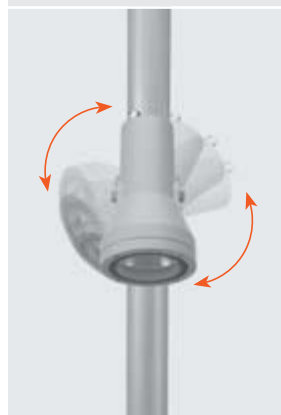
Technical data


IP Rating	IP65
IK Rating	IK09
Material	High corrosion resistance die-cast copper-free aluminum body
Coating	Polyester powder coating with phosphochromating pre-finish
Screws	Stainless steel
Transformer	Electronic power supply 120VAC 50-60Hz built-in
Gasket	Silicone rubber
Glass	Tempered
Cable gland	Double nickel-plated brass cable gland PG11
Power cable	9.84 ft. neoprene power cable included

AC-026P Anti-glare visor for Flash Medium



Graduated stainless steel insert



805002P	SINGLE FLASH POLE MEDIUM COB - 18W 120VAC 50-60HZ ELECTRONIC		
light source	light beam options	lumen output (lm)	lumin. efficacy (lm/w)
3000°K warm-white			
cob led	 35°	1,530	85.00


Colors options

-  Textured Gray RAL 9006
-  Anthracite Gray RAL 7016
-  Matte Black (on request)

Technical data	
Wattage	18W
Light source	NR. 1 CREE CXA 1512 LED
Gross weight	6.6 lbs



POLE BY OTHERS

805006P	DOUBLE FLASH POLE MEDIUM COB - 2 X 18W 120VAC 50-60HZ ELECTRONIC		
light source	light beam options	lumen output (lm)	lumin. efficacy (lm/w)
3000°K warm-white			
cob led	 35°	2 x 1,530	85.00

Colors options

-  Textured Gray RAL 9006
-  Anthracite Gray RAL 7016
-  Matte Black (on request)

Technical data	
Wattage	2 x 18W
Light source	NR. 2 x 1 CREE CXA 1512 LED
Gross weight	12.3 lbs



POLE BY OTHERS