

Technical features

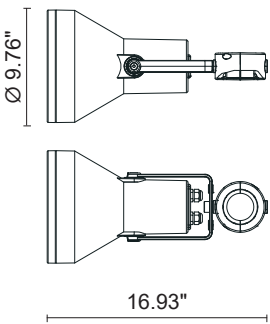


805010P-805012P

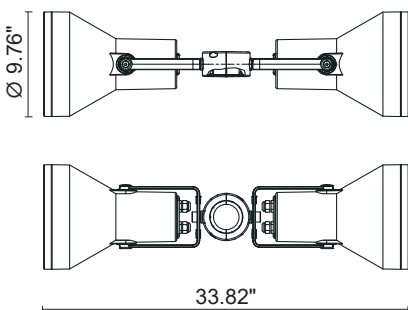
FLASH POLE MEGA COB

Round pole-mounted floodlight for outdoor installation on a pole diam. 2.36" or 2.99" (pole by others). Phospho-chromatised and polyester powder coated die-cast copper-free aluminum body, tempered safety glass, molded silicone gasket and stainless steel screws. Clamp for pole diam 2.36" or 2.99" included. Built-in LED driver 120VAC 50-60Hz, with 1 CREE CXB 3070 COB LED. IP65 rating.

805010P



805012P




Technical data

IP Rating	IP65
IK Rating	IK09
Material	High corrosion resistance die-cast copper-free aluminum body
Coating	Polyester powder coating with phosphochromating pre-finish
Screws	Stainless steel
Transformer	Electronic power supply 120VAC 50-60Hz built-in
Gasket	Silicone rubber
Glass	Tempered
Cable gland	Double nickel-plated brass cable gland PG11
Power cable	9.84 ft. neoprene power cable included



805010P

SINGLE FLASH POLE MEGA COB
55W 120VAC 50-60HZ ELECTRONIC

light source	light beam options	lumen output (lm)	lumin. efficacy (lm/w)
3000°K warm-white			
cob led	 35°	4,730	86.00

Colors options

- Textured Gray RAL 9006
 Anthracite Gray RAL 7016
 Matte Black (on request)

Technical data


Wattage	55W
Light source	NR. 1 CREE "CXB 3070" COB LED
Gross weight	12.1 lbs



POLE BY OTHERS

805012P

DOUBLE FLASH POLE MEGA COB
2 X 55W 120VAC 50-60HZ ELECTRONIC

light source	light beam options	lumen output (lm)	lumin. efficacy (lm/w)
3000°K warm-white			
cob led	 35°	2 x 4,730	86.00

Colors options

- Textured Gray RAL 9006
 Anthracite Gray RAL 7016
 Matte Black (on request)

Technical data

Wattage	2 x 55W
Light source	NR. 2 x 1 CREE "CXB 3070" COB LED
Gross weight	23.1 lbs



POLE BY OTHERS