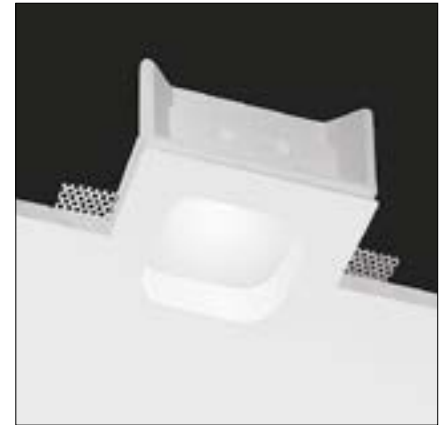


Focus is a square recessed downlight with a rounded light emission hole. It is made of AirCoral® paintable plaster, and is suitable for indoor installation on ceilings. It is available in 3000K as standard with a 40° light beam.



TECHNICAL DATA

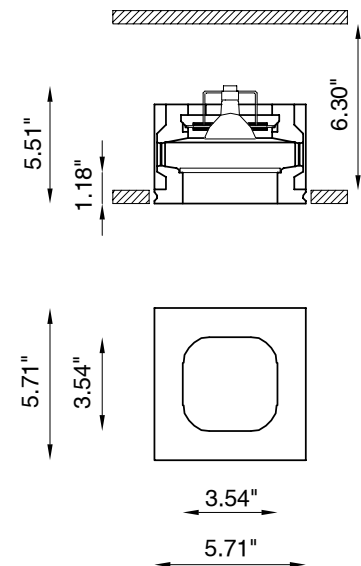
Wattage / Input	10W (500mA)
Power Supply	Remote, not included. See page 2.
Construction	Body: AirCoral® Lens: Frosted Glass
CCT	3000K (2700K, 4000K on request)
CRI	>90
Delivered Lumens	557 lm (3000K)
Efficacy	61.9 lm/W
Optics	40°
Finishes	AirCoral® Plaster
Fixture Dimensions	5.71" l x 5.71" w x 5.51" h
Cutout Dimensions	6.10" x 6.10"
Aperature	3.54" x 3.54"
Fixture Weight	3.97 lbs
IP Rating	IP40

The body is made of Aircoral® a unique patented composite material that actually purifies the air. It can be calculated how many cubic feet each fixture will purify. See website for Aircoral® calculator.

Additionally, Aircoral® is:

- Antibacterial.
- Antifungal.
- Scratch-resistant.
- Dust-resistant.
- Suitable for painting.
- LEED recognized material.

Fixture Dimensions



ORDERING INFORMATION

Example: BU6163.Z.AC.30.US. Power supplies ordered separately.

BU6163.Z	AC		.US
Model No.	Material	CCT	
BU6163.Z	AC - AirCoral®	30 - 3000K (standard) 27 - 2700K (on request) 40 - 4000K (on request)	

Job Name/Date:

Fixture Type Designation:

SUGGESTED POWER SUPPLIES

500mA

Part Number	Description	Input/Output	Fixtures
PPLT00154	0-10V Dimming to 10%	120-277VAC to 500mA, 12W, Class 2	1-1
PPLT00469	Phase Dim (120V only)	120VAC to 500mA, 14W, Class 2	1-1
PPLT00465-P	0-10V Dimming to 1.0%	120-277VAC to 500mA, 20W, Class 2, DAMP	1-2
PPLT00308-P	0-10V Dimming to 0.1%	120-277VAC to 500mA, 30W, Class 2, DAMP	1-2
PPLT00467-P	0-10V Dimming to 1.0%	120-277VAC to 500mA, 50W, Class 2, DAMP	1-2

Suggested Lutron Compatible

Part Number	Option	Lutron SKU	Dim Range	Description	Input/Output	# of Fixtures
PPLT00195	L3DAE / L3DA3W	L3DA	100%-1%	Hi-Lume™ 1% EcoSystem™ or 1% 3-Wire LED Driver	120-277VAC to 500mA, 19W, Class 2	1-1
PPLT00180	L3DAE / L3DA3W	L3DA	100%-1%	Hi-Lume™ 1% EcoSystem™ or 1% 3-Wire LED Driver	120-277VAC to 500mA, 27W, Class 2	2-2
PPLT00250	LTEA2W	LTEA	100%-1%	Hi-Lume™ 1% 2-Wire LED Driver (120V forward phase only)	120VAC to 500mA, 27W, Class 2	2-2

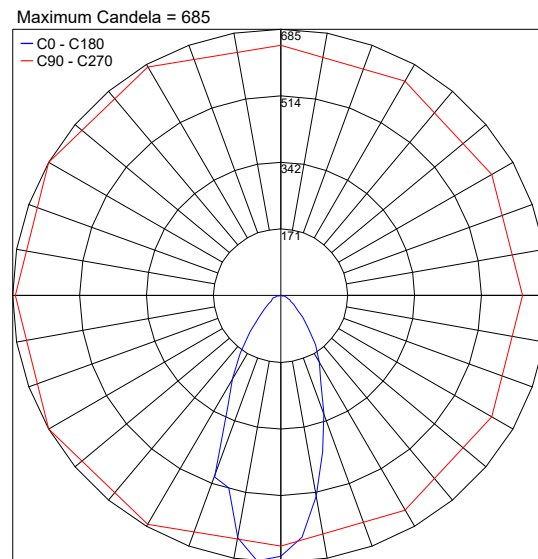
For other power supply options consult factory.

ACCESSORIES

Installation - Consult Factory for Back Box

PHOTOMETRIC DATA

Note: All photometry is 3000K.



PHOTOMETRIC FILENAME : FOCUS BU6163.Z.AC 3000K 9W.IES

Job Name/Date:

Fixture Type Designation: