

Luminous galaxy.



fog

design by Landa R&D

designplanTM 

79 Trenton Avenue
Frenchtown, NJ 08825

www.designplan.com

Tel: (908) 996-7710
Fax: (908) 996-7042



fog 80

Reflection and design, Fog 80 is clarity in a three-dimensional shape without any shadow. Compact and ultra-resistant, for wall applications. The cylindrical body of Fog 80 measures Ø 3.39" x 3.03" and is made in die-cast aluminum, with the possibility of finish in graphite, oxide, white and black. A uniform diffused light with 3000K color temperature (other color temperatures and color change version on request), is emitted from a LED technology source; the opal tempered glass guarantees maximum resistance in extreme outdoor conditions. Power supply is remote, with the possibility of DALI management on request, so as to make application of the outdoor product easy to manage in any context.

FOG 80 | WALL RECESSED

FOG 80 | CEILING RECESSED

FOG 80 | CEILING LAMP





fog 80

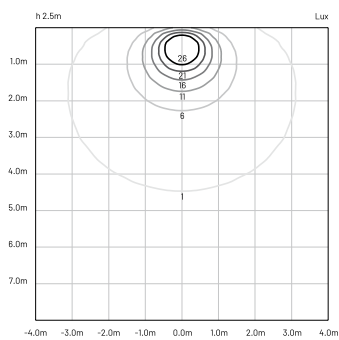
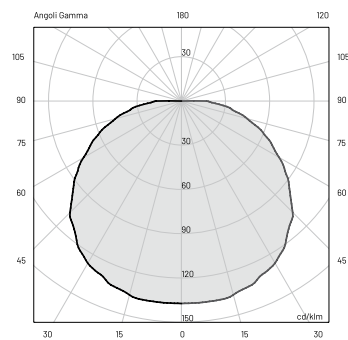
DIFFUSE

6W



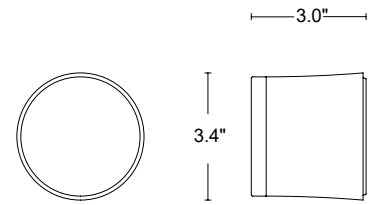
TECHNICAL SPECIFICATIONS

	DIFFUSE
Source lamp	LED 6W
Total wattage	6W
Voltage	24VDC
Control	Power supply not included
Light color	3000K • other colors on request
Delivered lumens *Source lumens	345 lm (700 lm*)
Luminous efficacy	58 lm/W
McADAM steps	3
Beam	diffuse
CRI	> 90
Lifetime	L70 > 50.000 h Ta 40°C
IP rating	IP65
IK rating	IK08



MATERIALS

Body	Die-cast aluminum EN47100
Diffuser	Opal glass
Finishing	Polyester powder paint



ORDER CODE

FG 5 0 POS D H B 7 Z _

Finishing

L	Graphite	●
V	Oxide	●
U	White	○
G	Black	●

Example

FG 5 0 POS D H B 7 Z L



fog 125

Thanks to the ultra-resistant opal tempered glass, the light of Fog 125, a wall luminaire, is diffuse and uniform. The product is long-lasting, has a power output of 14.5W and guarantees high performance. Four are the finishing options, made through powder coating: graphite, oxide, white and black, for a wide range of aesthetic customization. The die-cast aluminum body has a diameter of 5.12" x 3.03". Power supply is integrated, with the possibility of DALI management on request; the color temperature is 3000K, with other color temperatures and color change version options available on request.

FOG 125 | WALL RECESSED
FOG 125 | CEILING RECESSED
FOG 125 | CEILING LAMP





fog 125

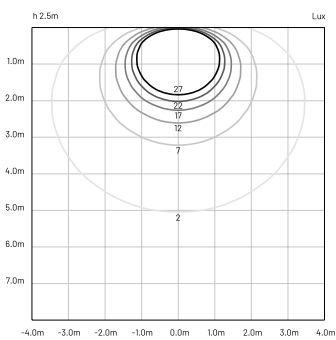
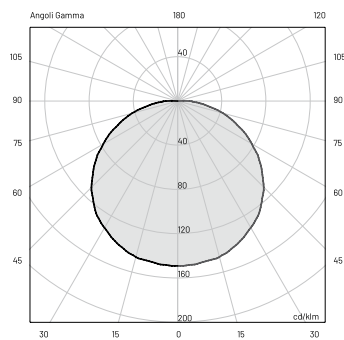
DIFFUSE

| 14.5W



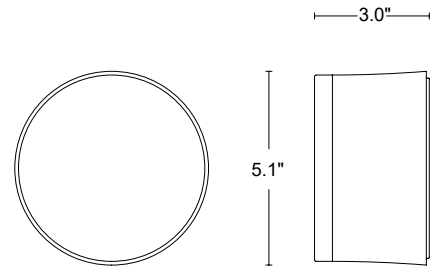
TECHNICAL SPECIFICATIONS

	DIFFUSE
Source lamp	LED 14,5W
Total wattage	17.7W
Voltage	700mA, 50-60Hz
Control	Power supply not included
Light color	3000K • other colors on request
Delivered lumens *Source lumens	950 lm (1850 lm*)
Luminous efficacy	54 lm/W
McADAM steps	3
Beam	diffuse
CRI	> 90
Lifetime	L70 > 50.000 h Ta 40°C
IP rating	IP65
IK rating	IK08



MATERIALS

<i>Body</i>	<u>Die-cast aluminum EN47100</u>
<i>Diffuser</i>	<u>Opal glass</u>
<i>Finishing</i>	<u>Polyester powder paint</u>



ORDER CODE

FG 6 0 POS D H B 1 0 _

Finishing

<u>L</u>	<u>Graphite</u>	●
<u>V</u>	<u>Oxide</u>	●
<u>U</u>	<u>White</u>	○
<u>G</u>	<u>Black</u>	●

Example

FG 6 0 POS D H B 1 0 L



fog 200

Power and vision. Research and innovation, for a technical luminaire with the “classical” shape, re-engineered in the most technological way possible. Fog 200 has a 22.4W LED technology luminous source and guarantees resistance and longevity; the ideal choice for any outdoor technical-lighting need, also thanks to the possible finish options, realized through powder coating in four colors: graphite, oxide, white and black. The diffused light emission, obtained through the opal glass, is highly performing; available with 3000K color temperature; other color temperatures and color change version available on request.

FOG 200 | WALL RECESSED

FOG 200 | CEILING RECESSED

FOG 200 | CEILING LAMP





fog 200

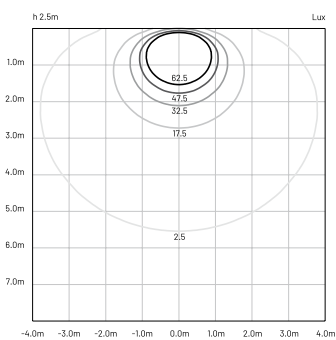
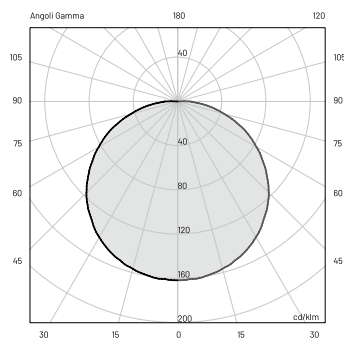
DIFFUSE

22.4W



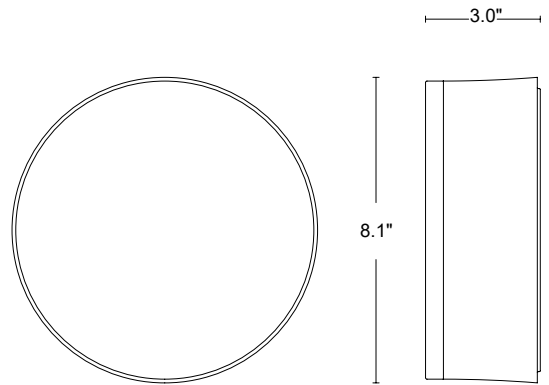
TECHNICAL SPECIFICATIONS

	DIFFUSE
Source lamp	LED 22.4W
Total wattage	27W
Voltage	1050mA, 50-60Hz
Control	Power supply not included
Light color	3000K • other colors on request
Delivered lumens *Source lumens	1500 lm (2800 lm*)
Luminous efficacy	56 lm/W
McADAM steps	3
Beam	diffuse
CRI	> 90
Lifetime	L70 > 50.000 h Ta 40°C
IP rating	IP65
IK rating	IK08



MATERIALS

<i>Body</i>	<u>Die-cast aluminum EN47100</u>
<i>Diffuser</i>	<u>Opal glass</u>
<i>Finishing</i>	<u>Polyester powder paint</u>



ORDER CODE

FG 8 0 POS D H B 10 _

Finishing

L	Graphite	●
V	Oxide	●
U	White	○
G	Black	●

Example

FG 8 0 POS D H B 10 L

