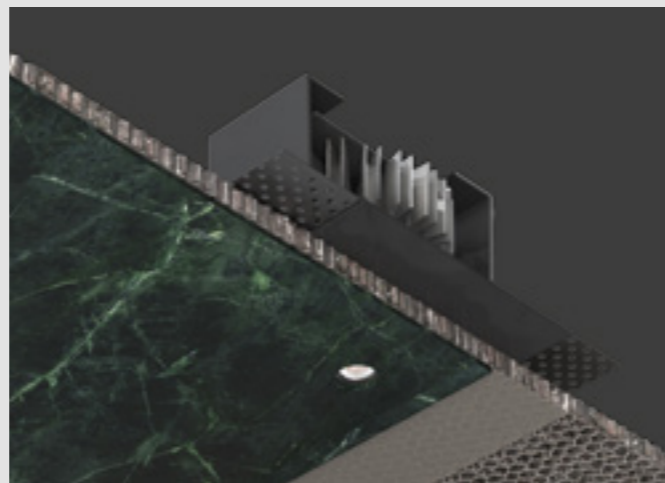
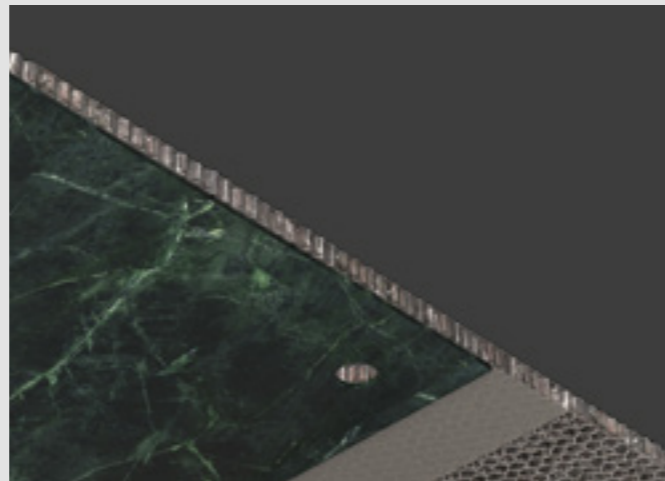
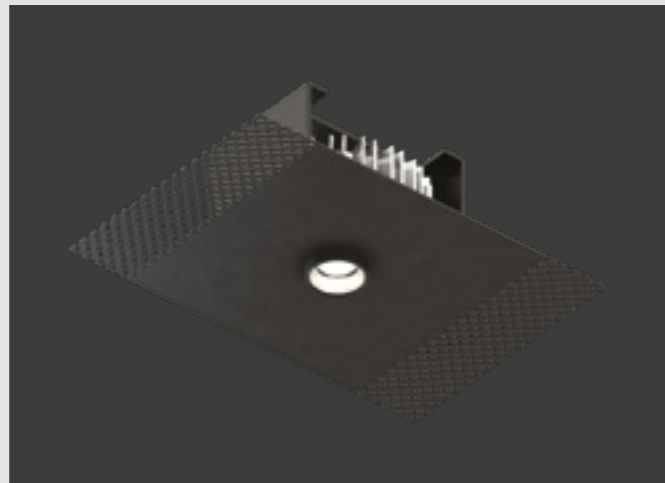


GENIUS BASIC NAKED

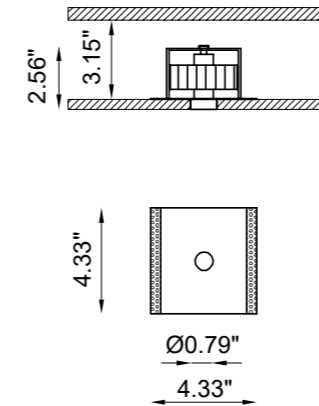


THE MOST COMPACT TO INSTALL ON ANY MATERIAL.

A totally recessed indoor luminaire, Genius Basic Naked is a variation of the Genius Basic, blending its characteristic notes with the possibility of surface integration in any context and material.

Not only does this new Genius extend the usual technical reliability of Buzzi & Buzzi to the Contract Business concept, but it can also be installed from above onto wood, cement, mirror, marble, industrial modules with a thickness of from 0.16" (4 mm) to a maximum of 1.18" (30 mm). This version is also more compact and can be installed in a cavity of only 3.15" (80 mm).

Genius Basic Naked is the synthesis of Buzzi & Buzzi technology in terms of versatility and efficiency: the only visible part is the light emission hole measuring only 0.79" (20 mm), which provides a light flow of 540 lm; the electrical part can be removed through the light hole, so there is no need for any inspection hatch, nor for invasive maintenance operations.



CODE COMPOSITION

BU1071 BL 4 R 24 E WD

light color

27	2700K
30	3000K
40	4000K

example of code composition

BU1071 BL 4 R 24 E 30 WD

TECHNICAL FEATURES

Code	BU1071 XX
Type	Downlight 90°
Material	Aluminum I Steel
Finishing	Black
Weight	1.43 lbs
Mounting	Ceiling recessed
IP rating	IP20
Control gear	Remote constant current electronic driver (not included)
Lamp type	LED 700mA Vf: 6.5 VDC
Lamp wattage	4.5W
Luminous efficacy	63.3 lm/W - 3000K
Light distribution	Wide beam 24°
Fitting	-
Light colour	White 3000K White 2700K I 4000K (on request)
Light hole	Ø 0.79"
Voltage connection	By driver (optional)
CRI	>90
Note	Suitable for installation on surfaces max 0.79" deep. This product could be ordered with IP65 protection grade (code 2071).



79 Trenton Avenue
Frenchtown, NJ 08825

www.designplan.com

Tel: (908) 996-7710
Fax: (908) 996-7042