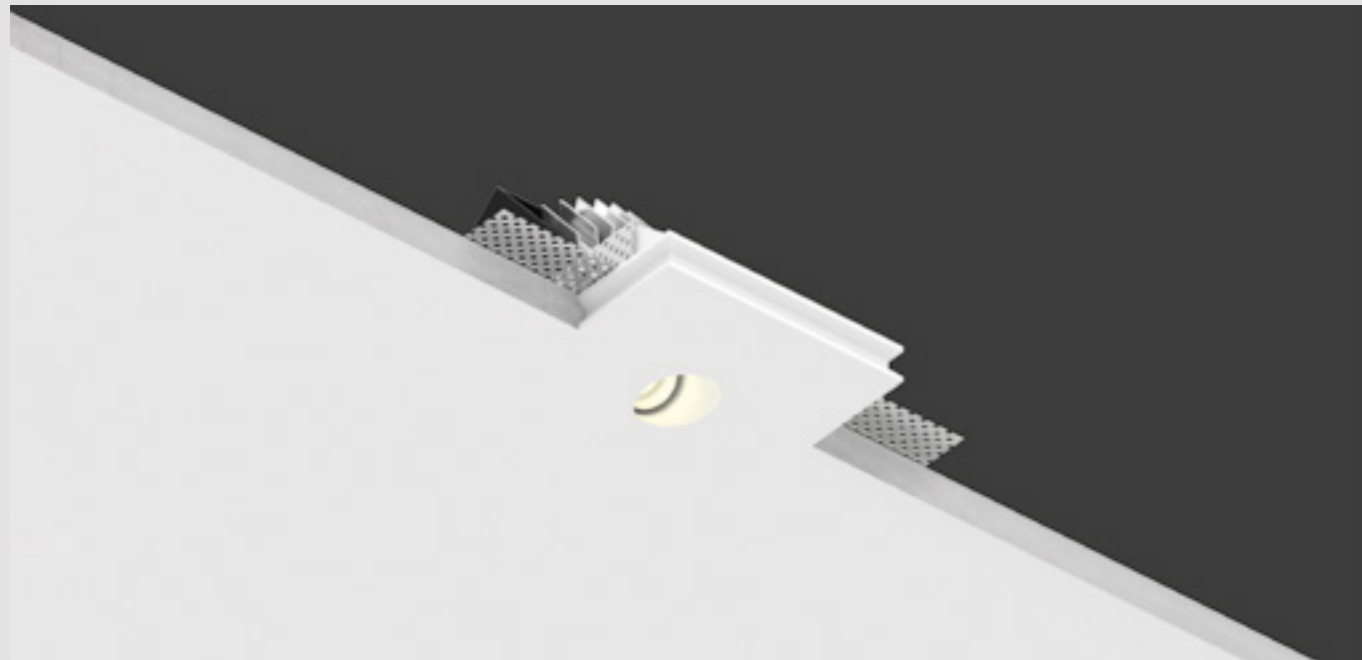


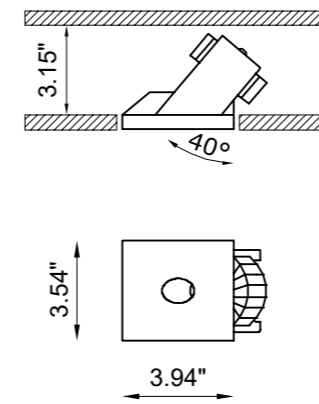
GENIUS BASIC SLOPE



The "Slope" version of Genius, designed for the Contract world is a very compact product which can be installed in a cavity measuring only 3.15".
Genius Basic Slope is a totally recessed luminaire for indoor use, made in Coral® for this new variant.

The asymmetrical light emission hole, with a 40° angled axis, guarantees a light emission of 185 lm, with possibility of a wall-washer effect.

The electrical part can be removed through the light hole, thanks to a mechanism that makes it easy to pull the LED light source out and replace it, so there is no need for any inspection hatch, nor for invasive maintenance operations.



CODE COMPOSITION

B1865.00 4 R 24 M _WD

light color

27	2700K
30	3000K
40	4000K

example of code composition **B1865.00** 4 R 24 M **30** WD

TECHNICAL FEATURES

Code	1865.00 XX
Type	Downlight 90°
Material	00: Coral®
Weight	1.43 lbs
Mounting	Ceiling recessed
IP rating	IP20
Control gear	Remote constant current electronic driver (not included)
Cut out for plasterboard	3.94" x 3.94"
Lamp type	LED 500 mA
Lamp wattage	4W
Luminous efficacy	30.8 lm/W - 3000K
Light distribution	Wide beam 24°
Light color	White 3000K White 2700K 4000K (on request)
Light hole	Ø 0.79"
Voltage connection	By driver (optional)
CRI	>90



79 Trenton Avenue
Frenchtown, NJ 08825

www.designplan.com

Tel: (908) 996-7710
Fax: (908) 996-7042