

# GENIUS TWIN



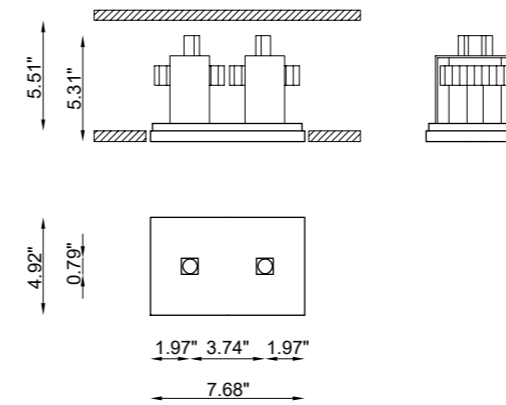
The design of Genius doubles: Twin Genius, a totally disappearing recessed luminaire in AirCoral®, installable on plasterboard or brick ceilings. The two emission holes of just 0.79" almost disappear when the product is turned off: cut out inside the ceilings, in perfect continuity with the surfaces, these products are able to generate bright cones of light with clean volumes, breaking the darkness. With a simple hand gesture, the electric part can be extracted directly from the hole which allows the light to pour out. This is possible thanks to the push-pull mechanism, which makes the eventual extraction and replacement of the LED source easier in case of maintenance.

designplan™ 


79 Trenton Avenue  
Frenchtown, NJ 08825

www.designplan.com

Tel: (908) 996-7710  
Fax: (908) 996-7042



## TECHNICAL FEATURES

Code	BU1852.AC.US
Type	Downlight 90° 
Material	AC: AirCoral®
Absorption capacity*	29.92 ft <sup>2</sup>
Weight	4.41 lbs
Mounting	Ceiling recessed
IP rating	IP20
Cut out for plasterboard	8.07" x 5.31"
Lamp type	LED 700mA
Lamp wattage	2 x 8.5W
Luminous efficacy	71 lm/W per beam - 3000K
Light distribution	Wide beam 40°
Light color	White 3000K
Light hole	Ø 0.79"
CRI	>80

\* The absorption capacity per ft<sup>3</sup> calculated by the American organization TCNA (Tile Council of North America) is measured for an average room of 8.86' in height and therefore expressed in ft<sup>2</sup>