

# GENIUS TWIN SQUARE



Geniusquare duplicates itself becoming Twin Geniusquare, a totally disappearing recessed luminaire in AirCoral® installable on plasterboard or brick ceilings and guaranteeing an incredible light intensity.

The double light-emission hole, which is only 0.79" wide, allows the product to perfectly integrate itself with the surfaces it is installed on, adding extraordinary effects of total disappearance and offering a flawless light suitable for any environments.

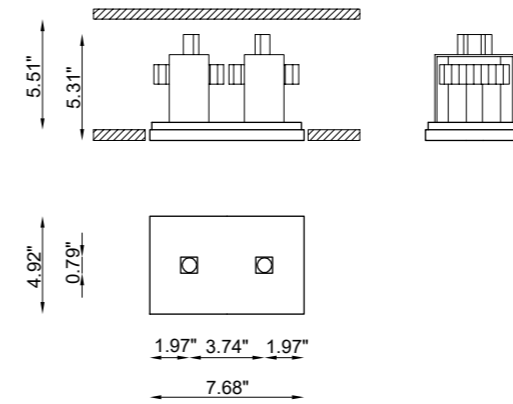
With a simple hand gesture, the electric part can be extracted directly from the hole which allows the light to pour out. This is possible thanks to the push-pull mechanism, which makes the eventual extraction and replacement of the LED source easier in case of maintenance.

designplan™ 


79 Trenton Avenue  
Frenchtown, NJ 08825

www.designplan.com

Tel: (908) 996-7710  
Fax: (908) 996-7042



## TECHNICAL FEATURES

Code	BU1854.AC.US	
Type	Downlight 90° 	
Material	AC: AirCoral®	
Absorption capacity*	29.92 ft <sup>2</sup>	
Weight	4.41 lbs	
Mounting	Ceiling recessed	
IP rating	IP20	
Cut out for plasterboard	8.07" x 5.31"	
Lamp type	LED 700mA	
Lamp wattage	2 x 8.5W	
Luminous efficacy	71 lm/W per beam - 3000K	
Light distribution	Wide beam 40°	
Light color	White	3000K
Light hole	0.79" x 0.79"	
CRI	>80	

\* The absorption capacity per ft<sup>3</sup> calculated by the American organization TCNA (Tile Council of North America) is measured for an average room of 8.86' in height and therefore expressed in ft<sup>2</sup>