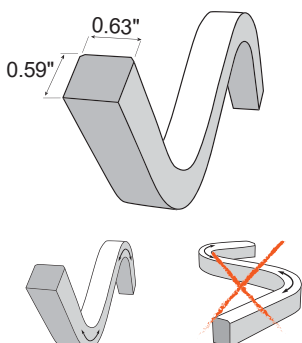
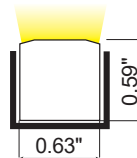
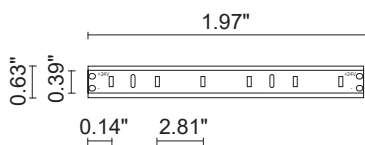




401806P-401807P

HYDROFLEX TOP

39.37" / 157.48" length, 0.63" x 0.59" section, opal encapsulated flexible LED strip for linear lighting (straight or bended) outdoor and indoor wall-recessed installation; surface mounted version through installation accessories to be ordered separately. LED circuit completely encapsulated with UV and high-temperatures resistant Polyurethane sheath, with white (outside) and milky finish (over light emission), dot free and homogeneous light emission surface. Double power cable with male/female connectors included, suitable for in-line installation. Available in increments of 1.97". Remote driver 24VDC needed. With low-power SMD3014 Lumileds LED. IP68 rating.



Technical features



Technical data

Material	High performances Polyurethane, UV resistant, saltwater resistant
	Not yellowish after years
	Dot-free and homogeneous light emission
Light source	SMD3014 Lumileds LED
Transformer	24VDC remote driver needed
	Supplied with Male/Female connectors for in-line installation

NO LIGHT INTERRUPTION

