

Technical features



Technical data

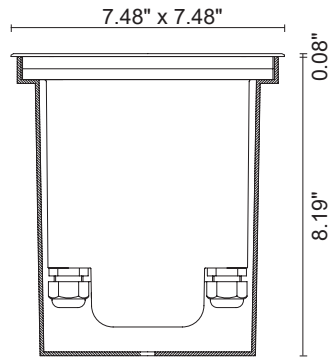
Wattage	14W
IP Rating	IP67
IK Rating	IK10
Material	High corrosion resistance die-cast copper-free aluminum body
Trim	Stainless steel AISI 304
Coating	Polyester powder coating with phosphochromating pre-finish
Light source	NR. 9 x 1.5W CREE "XP-G3" LED
Screws	Stainless steel
Transformer	Electronic power supply 120VAC 50/60Hz built-in
Static weight resistance	Max 11,000 lbs
Gasket	Silicone rubber
Glass	Tempered
Cable gland	Double M20
Adjustable	+/- 15 degrees
Power cable	3.28' neoprene power cable included
Gross weight	6.2 lbs
Included	Polypropilene recessing box included



202008P

HYDROQUADRO MEDIUM

Square ground-recessed luminaire for outdoor installation, Phospho-chromatised and polyester powder coated die-cast copper-free aluminum body and stainless steel AISI 304 frame, tempered safety glass, molded silicone gasket. Built-in LED driver 120VAC 50-60Hz, with 9 CREE XP-G3 LED. IP67 rating.



HOLE FOR RECESSING 7.17" x 7.17"

light source	light beam options	lumen output (lm)	lumin. efficacy (lm/w)
3000°K warm-white			
high-power led	10°	1,296	92.57
high-power led	30°	1,231	87.93
high-power led	45°	1,170	83.57
4000°K neutral-white			
high-power led	10°	1,350	96.43
high-power led	30°	1,283	91.65
high-power led	45°	1,219	87.07

Finish color options:

Stainless Steel

